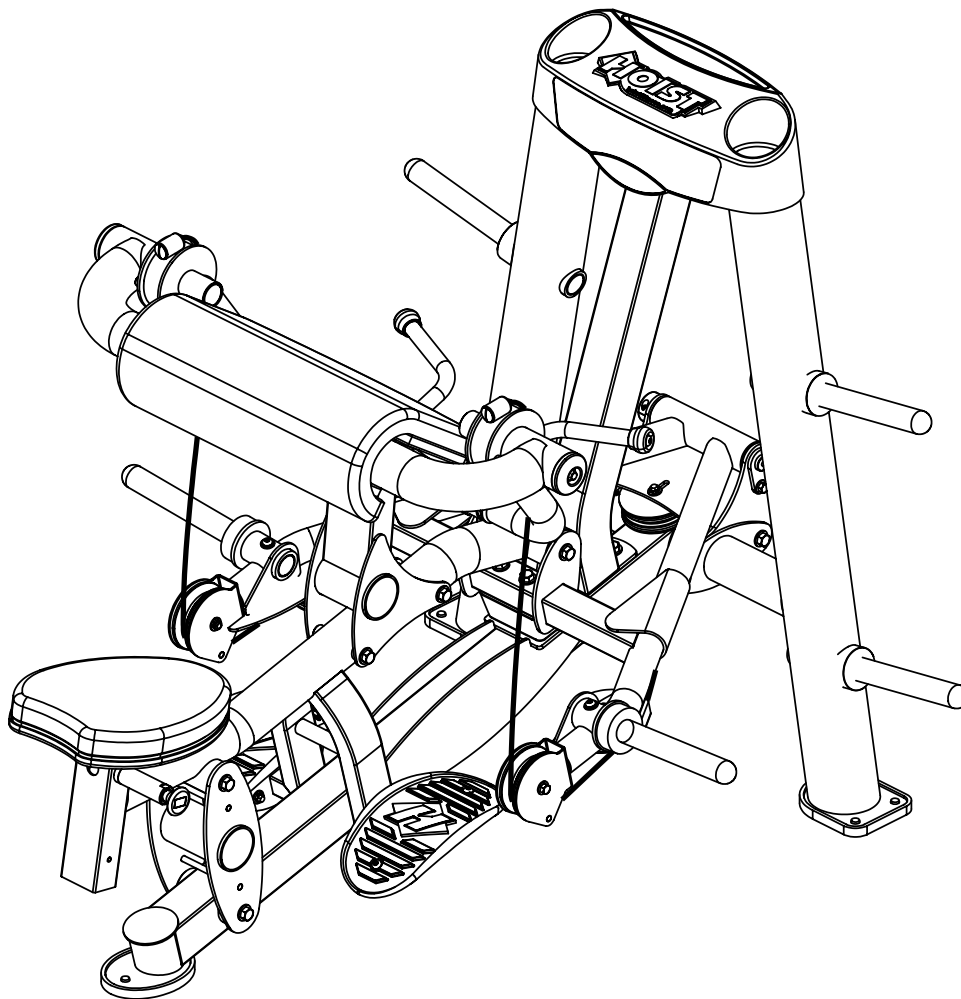


OWNER'S MANUAL

HOLIST

RPL-5102

PLATE LOADED PREACHER CURL



****WARNING !****

TO PREVENT POSSIBLE TIPPING, BOLT THIS UNIT TO THE EXERCISE FLOOR. FAILURE TO DO SO MAY RESULT IN SERIOUS INJURY OR DEATH.

Note: Both Serial Number and Model Number are Required when Ordering Parts

RECORD SERIAL NUMBER HERE

CATALOG NUMBER

0308 - 000

Customer Service

(800) 548-5438

(858) 578-7676

Fax

(858) 578-9558

OWNER'S MANUAL

CONTENTS

INSTRUCTIONS	02
FRAME ASSEMBLY	04
MACHINE ADJUSTMENT	31
PRE-ASSEMBLY.....	32
DECAL PLACEMENT.....	33
DECAL REFERENCE.....	34
PART LIST.....	37
ABBREVIATIONS.....	40
BOLT SIZING CHART.....	41
WASHER SIZING CHART.....	43
MAINTENANCE SCHEDULE.....	45
GENERAL MAINTENANCE INFORMATION.....	46
WEIGHT TRAINING TIPS.....	47
EXERCISE LOG.....	48
LIMITED WARRANTY.....	49

OWNER'S MANUAL

INSTRUCTIONS

Before beginning assembly please take the time to read instructions thoroughly. Please use the various lists in this manual to make sure that all parts have been included in your shipment. When ordering, use part number and description from the lists. Use only HOIST replacement parts when servicing. Failure to do so will void your warranty and could result in personal injury.

HOIST equipment is designed to provide the smoothest, most effective exercise motion possible. After assembly, you should check all functions to ensure correct operation. If you experience problems, first recheck the assembly instructions to locate any possible errors made during assembly. If you are unable to correct the problem, call your authorized HOIST dealer. Be sure to have your serial number and this manual when calling. When all parts have been accounted for, continue on.

TOOLS REQUIRED

Ratchet Wrench

1/2", 9/16" and 3/4" Sockets

Adjustable Wrench

Rubber Mallet

Tape Measure

Level

Hex Key Wrench Set

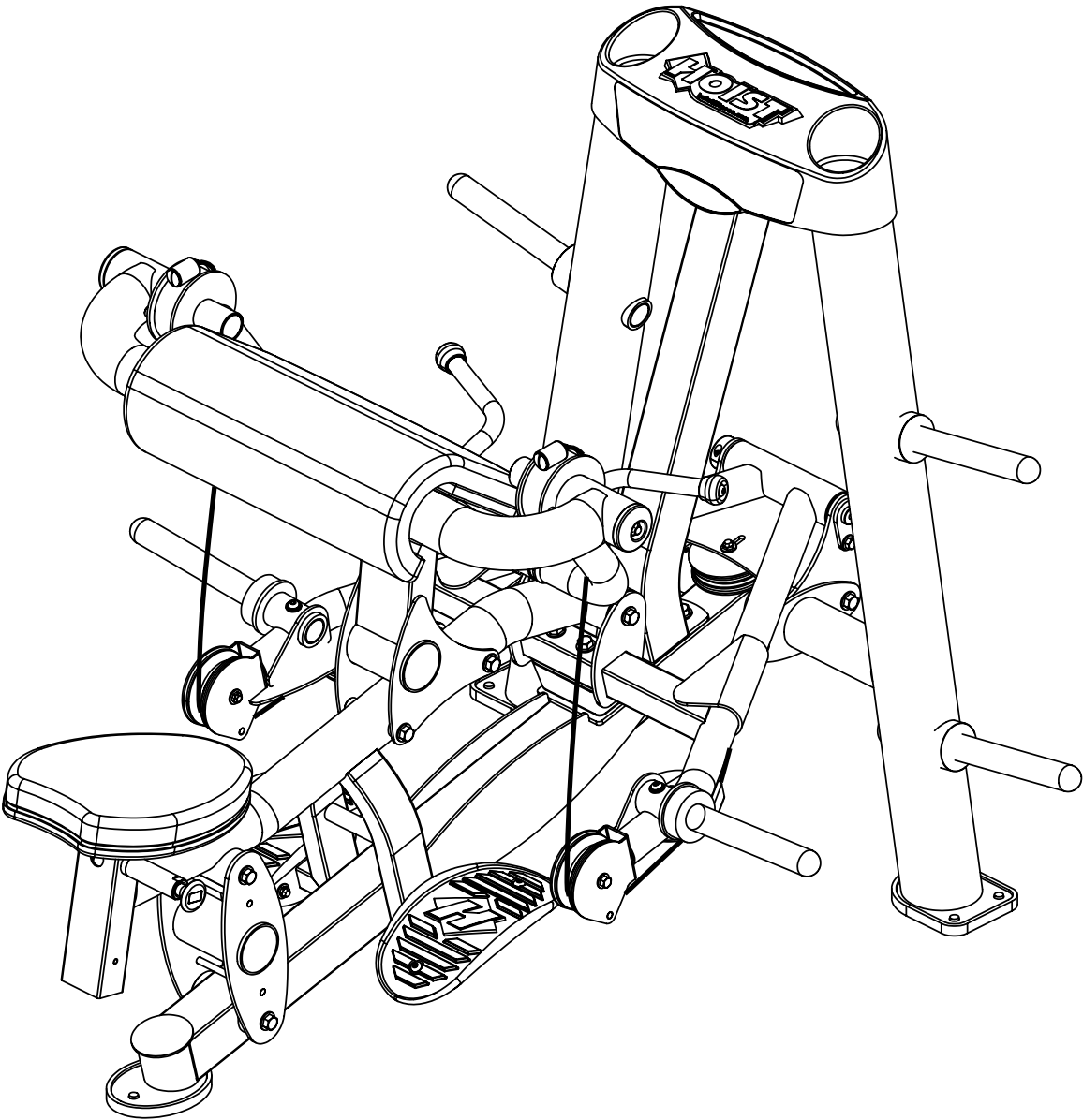
Two People

OWNER'S MANUAL

*****THIS PAGE WAS INTENTIONALLY LEFT BLANK*****

OWNER'S MANUAL

FRAME ASSEMBLY

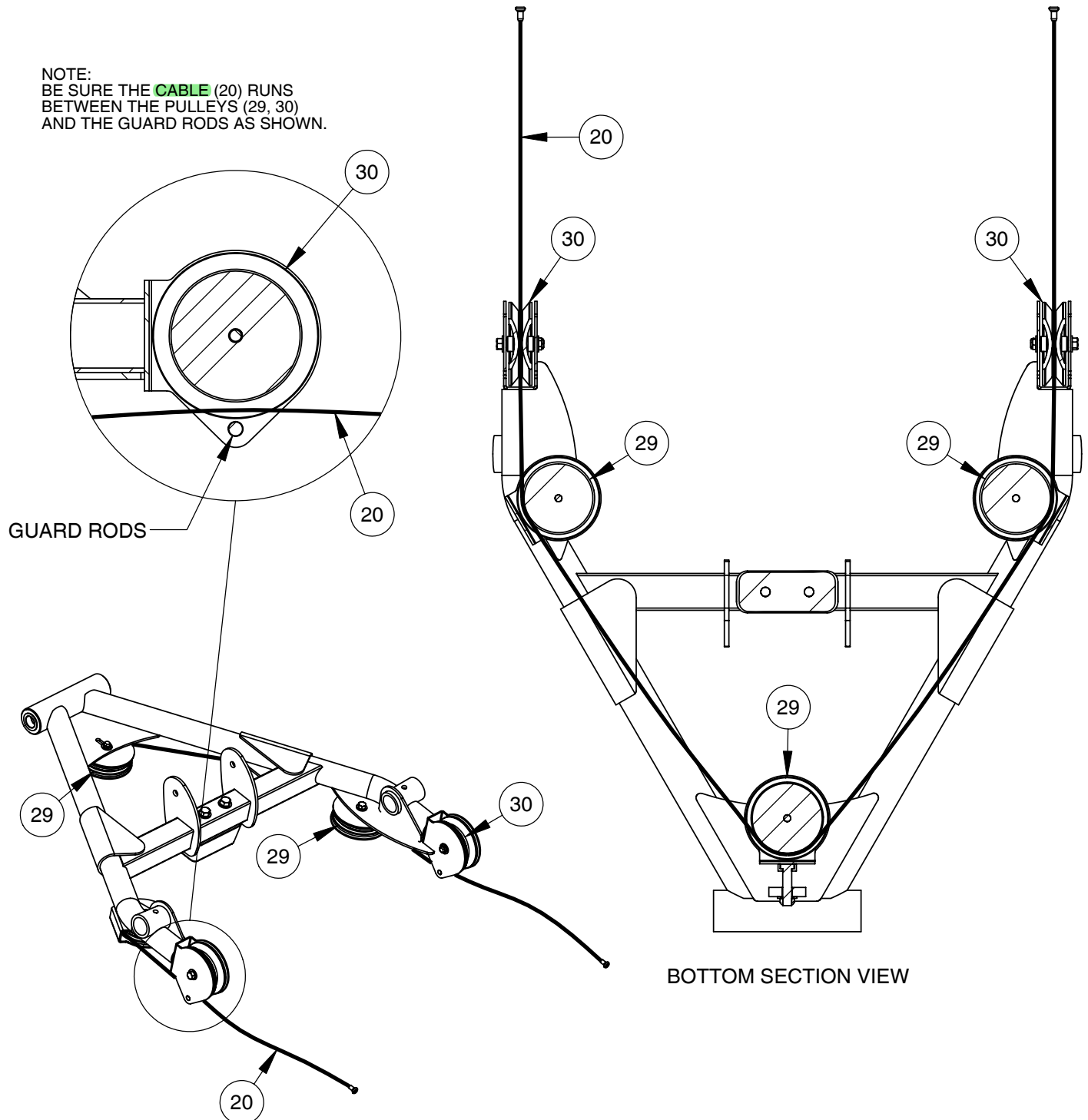


OWNER'S MANUAL

FRAME ASSEMBLY

NOTE:
- SOME PARTS MAY HAVE BEEN
REMOVED FOR CLARITY.

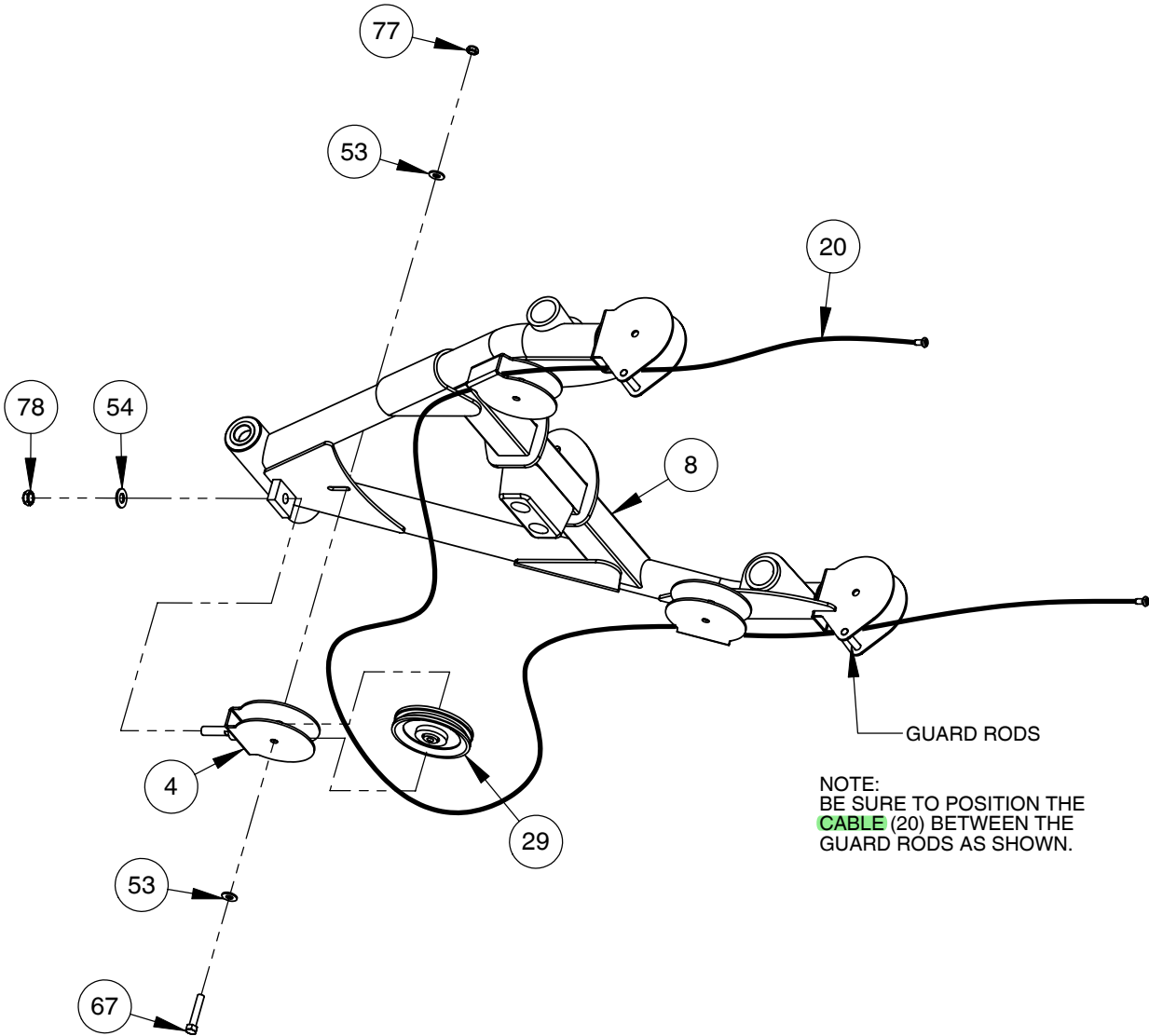
CABLING PROFILE VIEW



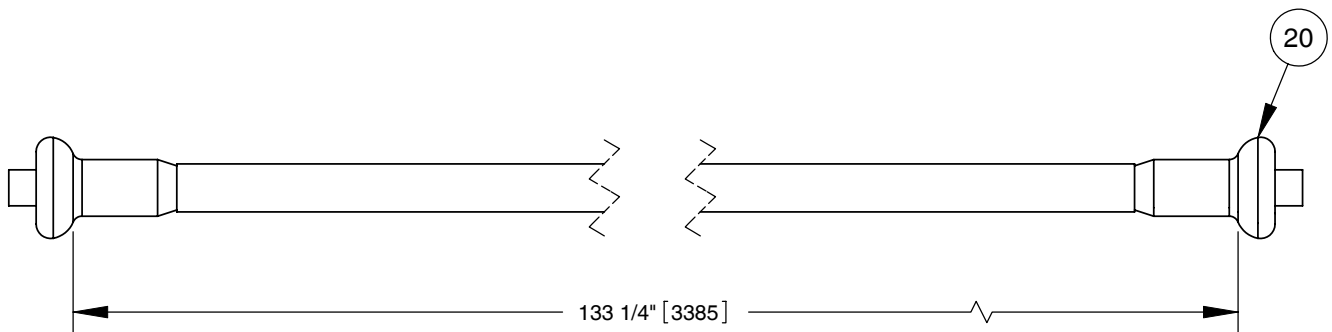
OWNER'S MANUAL

FRAME ASSEMBLY

- NOTE:
- HAND TIGHTEN HARDWARE.
 - REPEAT ASSEMBLY FOR OPPOSITE SIDE.
 - INSTALL **CABLE** AND PULLEYS AT THE SAME TIME.



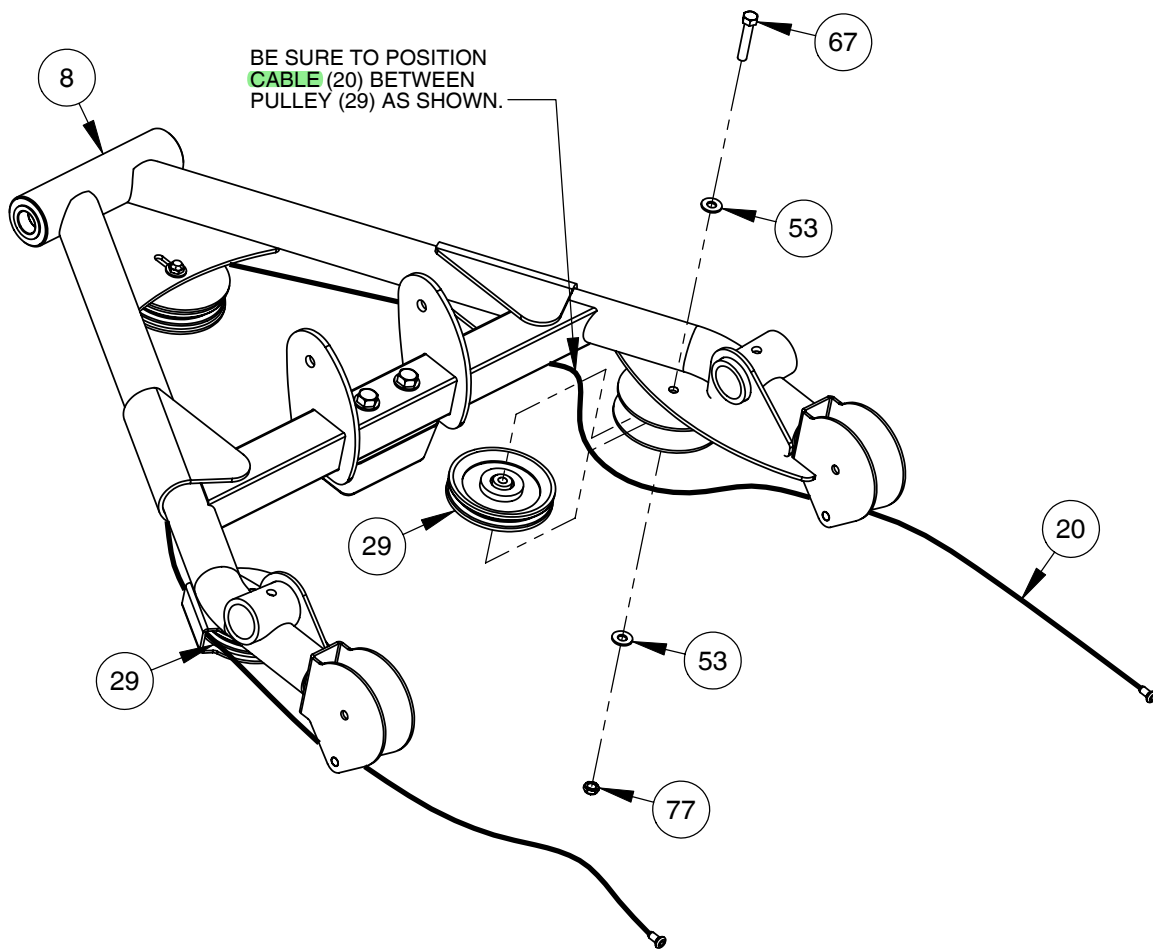
- NOTE:
- BE SURE TO POSITION THE **CABLE** (20) BETWEEN THE GUARD RODS AS SHOWN.



OWNER'S MANUAL

FRAME ASSEMBLY

- NOTE:
- WRENCH TIGHTEN HARDWARE.
 - REPEAT ASSEMBLY FOR OPPOSITE SIDE.
 - INSTALL **CABLE** (20) AND PULLEYS AT THE SAME TIME.

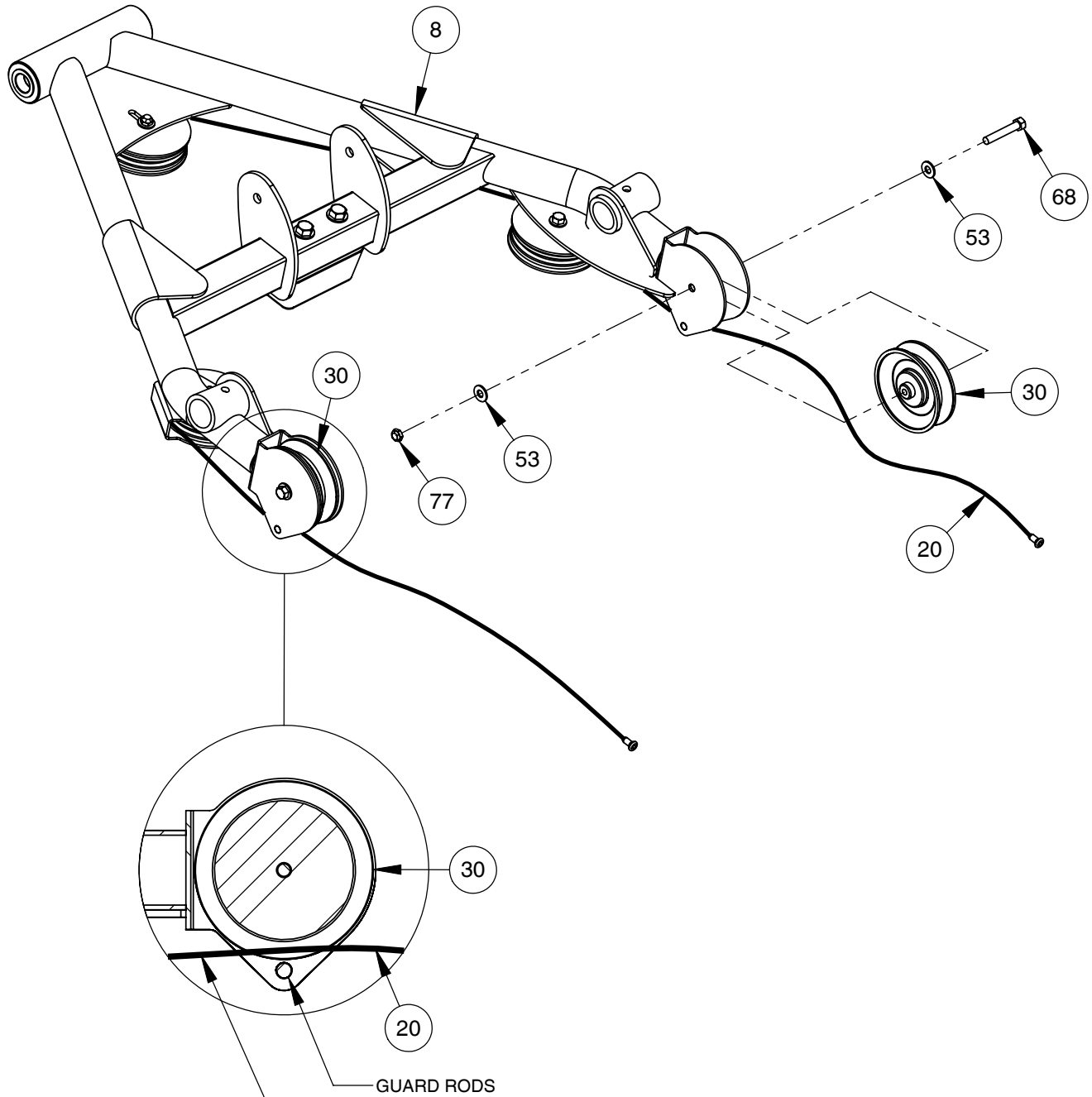


OWNER'S MANUAL

FRAME ASSEMBLY

NOTE:

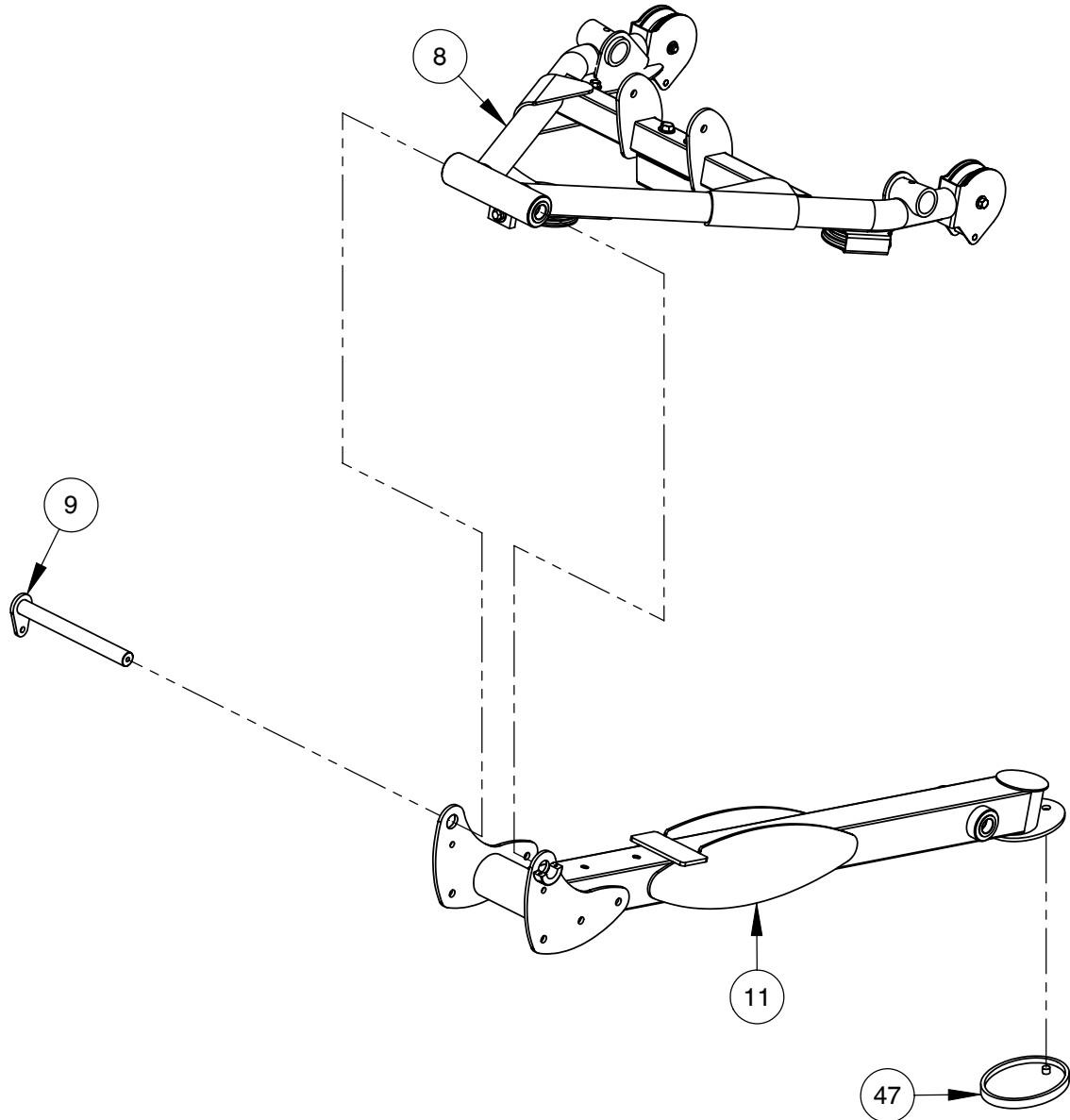
- WRENCH TIGHTEN HARDWARE.
- REPEAT ASSEMBLY FOR OPPOSITE SIDE.
- INSTALL **CABLE** AND PULLEYS AT THE SAME TIME.



OWNER'S MANUAL

FRAME ASSEMBLY

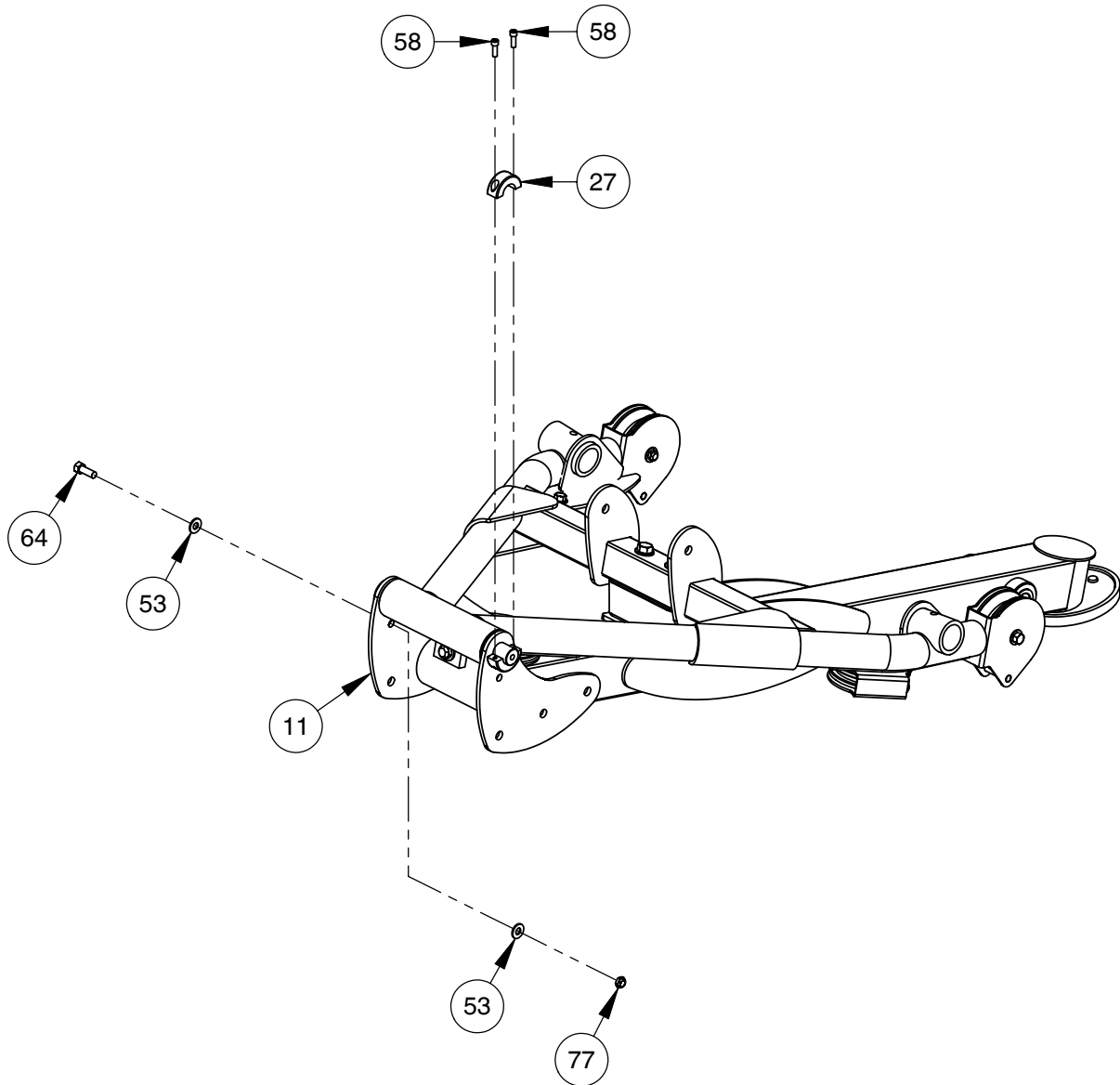
NOTE:
- SOME PARTS MAY HAVE BEEN
REMOVED FOR CLARITY.



OWNER'S MANUAL

FRAME ASSEMBLY

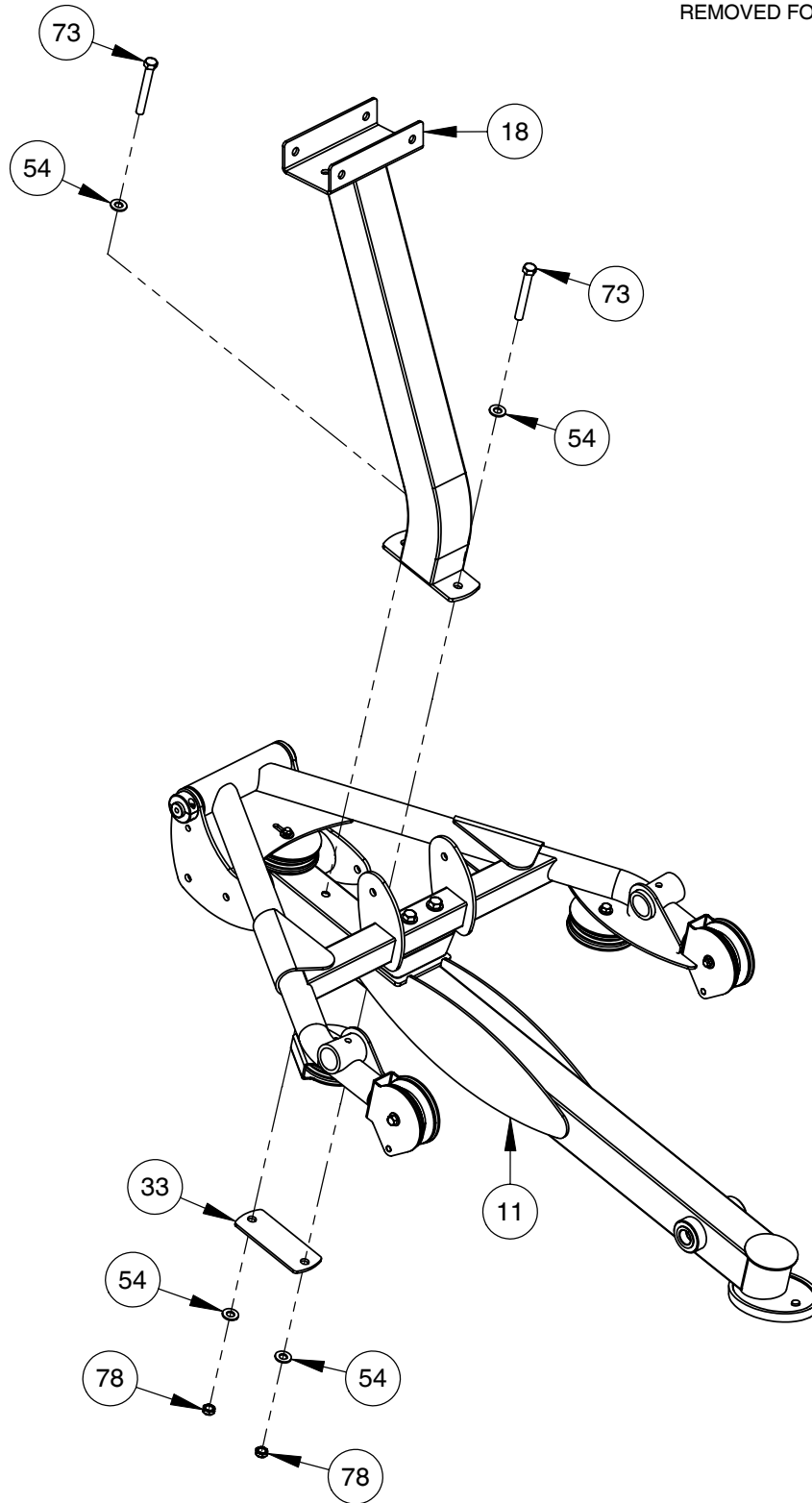
NOTE:
- WRENCH TIGHTEN HARDWARE.
- SOME PARTS MAY HAVE BEEN
REMOVED FOR CLARITY.



OWNER'S MANUAL

FRAME ASSEMBLY

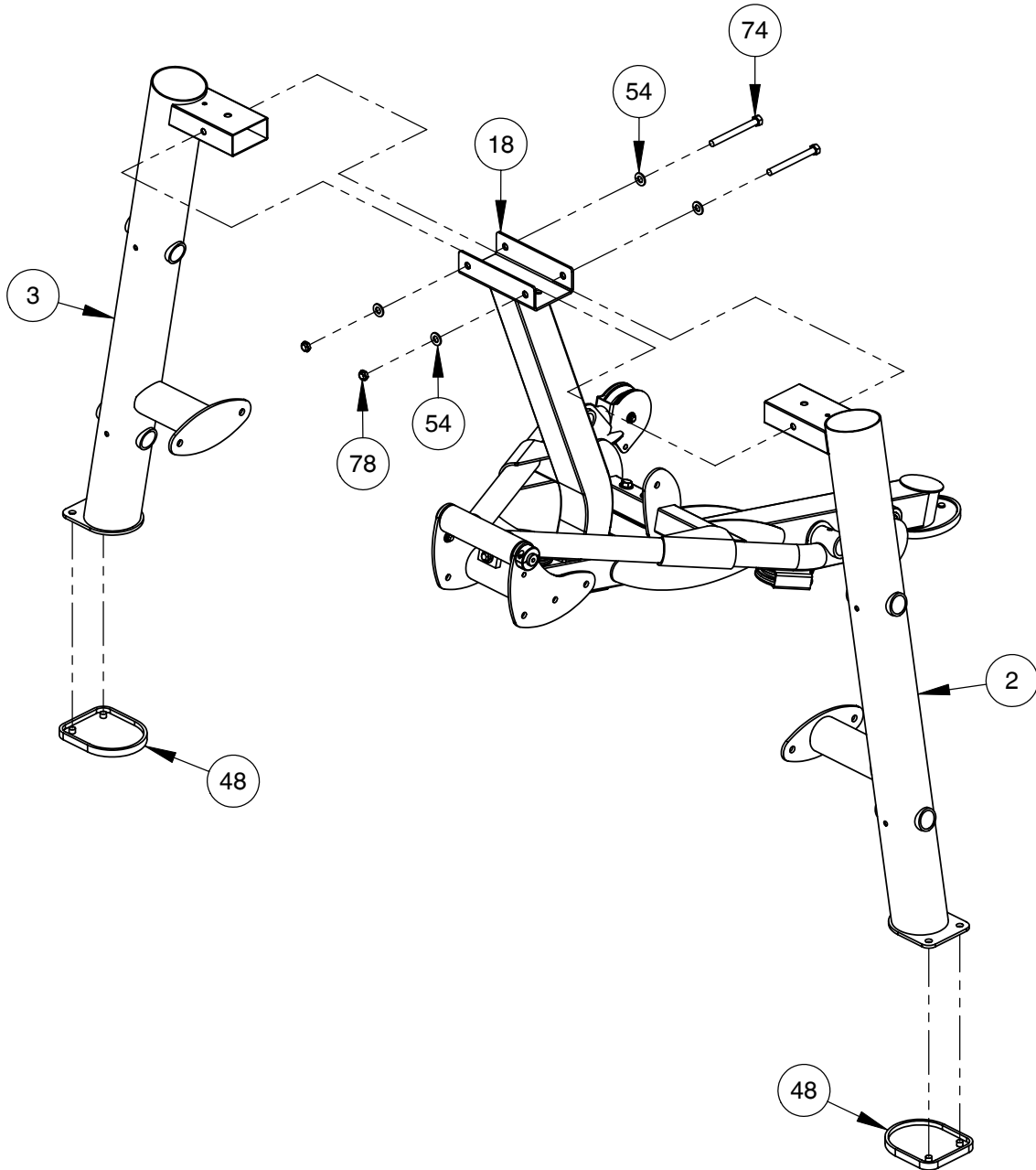
NOTE:
- HAND TIGHTEN HARDWARE.
- SOME PARTS MAY HAVE BEEN
REMOVED FOR CLARITY.



OWNER'S MANUAL

FRAME ASSEMBLY

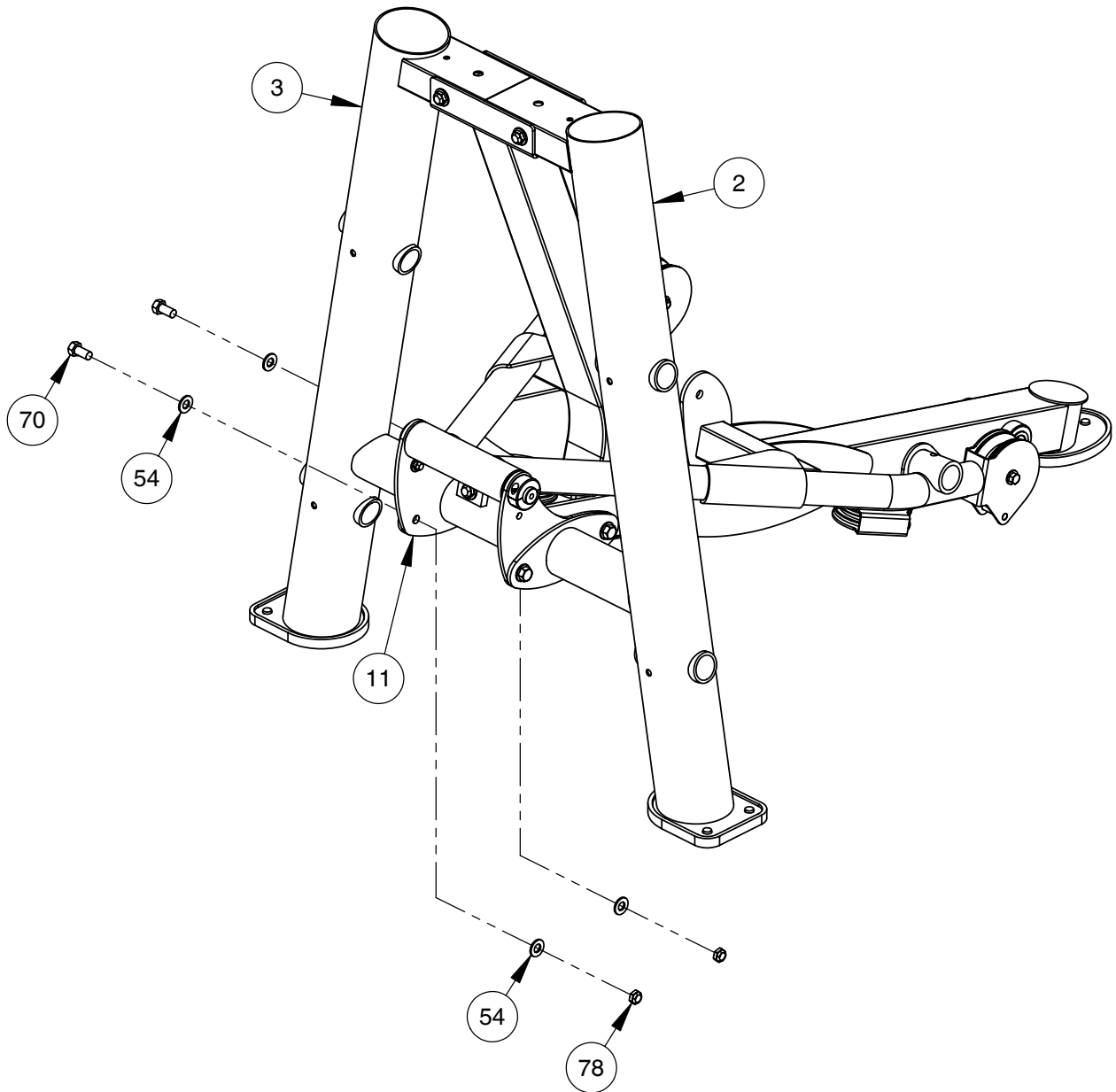
NOTE:
- HAND TIGHTEN HARDWARE.
- SOME PARTS MAY HAVE BEEN
REMOVED FOR CLARITY.



OWNER'S MANUAL

FRAME ASSEMBLY

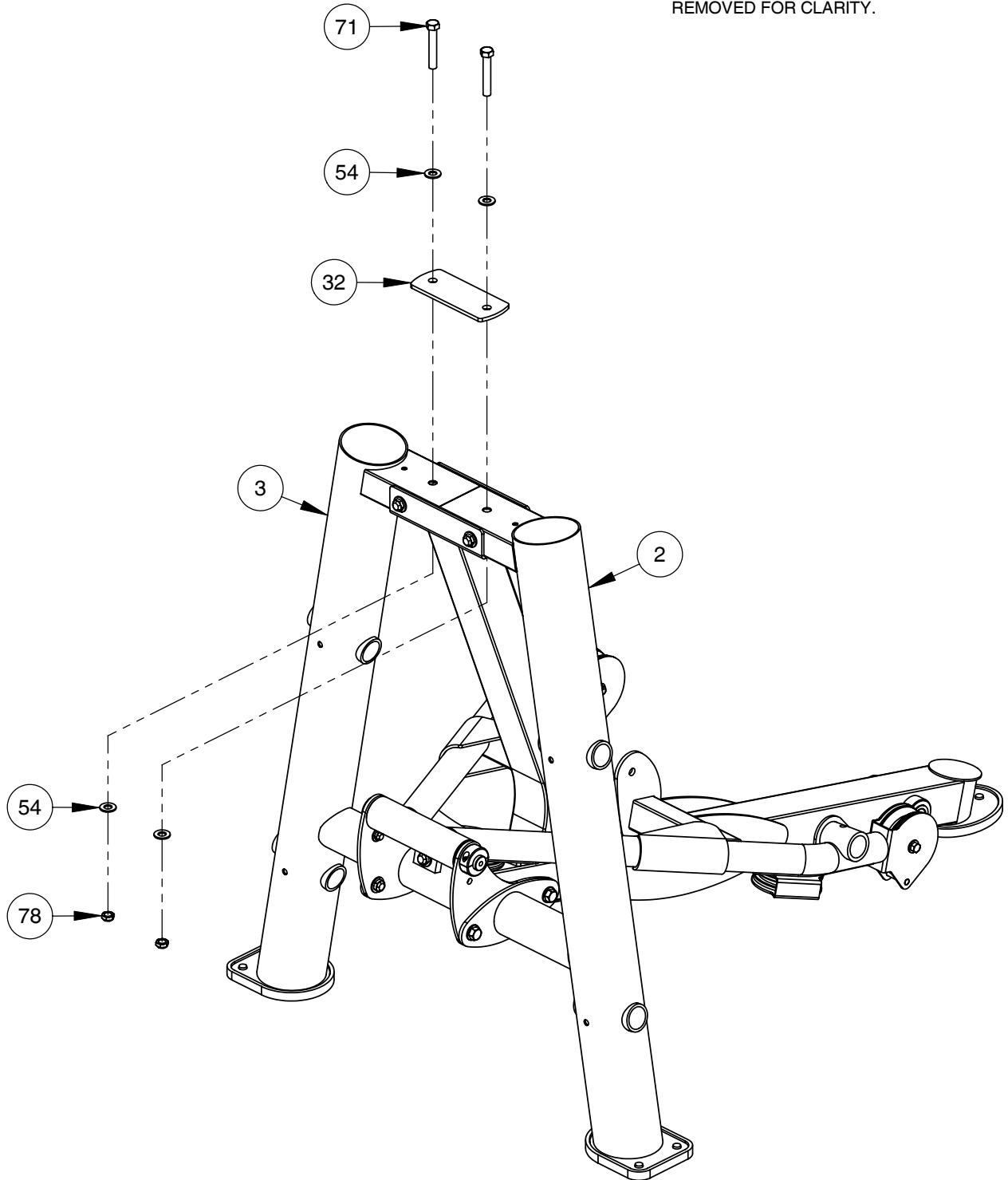
- NOTE:
- HAND TIGHTEN HARDWARE.
 - SOME PARTS MAY HAVE BEEN REMOVED FOR CLARITY.
 - REPEAT ASSEMBLY FOR OPPOSITE SIDE.



OWNER'S MANUAL

FRAME ASSEMBLY

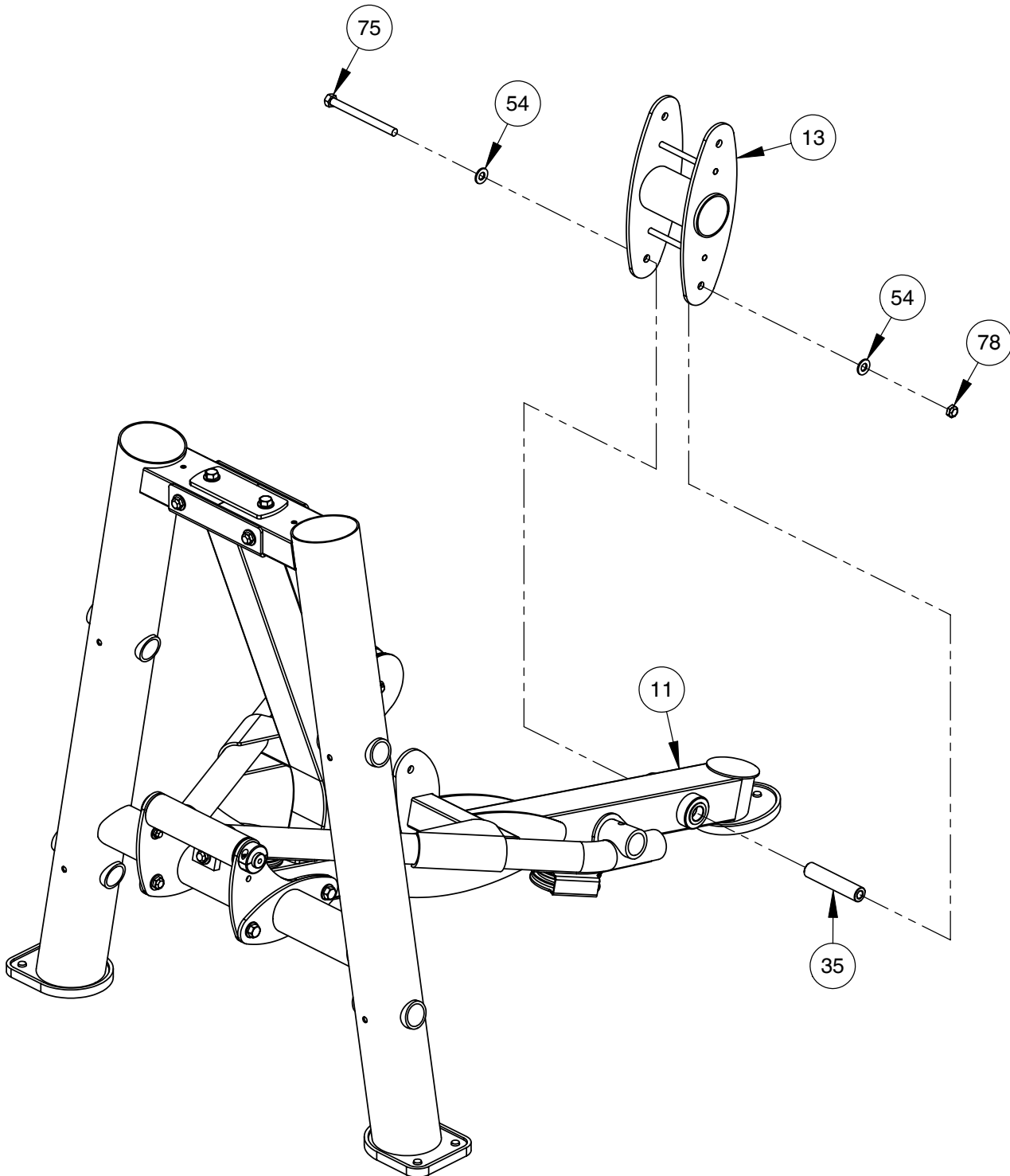
- NOTE:
- WRENCH TIGHTEN HARDWARE.
 - WRENCH TIGHTEN ALL PREVIOUSLY HAND TIGHTEN HARDWARE.
 - SOME PARTS MAY HAVE BEEN REMOVED FOR CLARITY.



OWNER'S MANUAL

FRAME ASSEMBLY

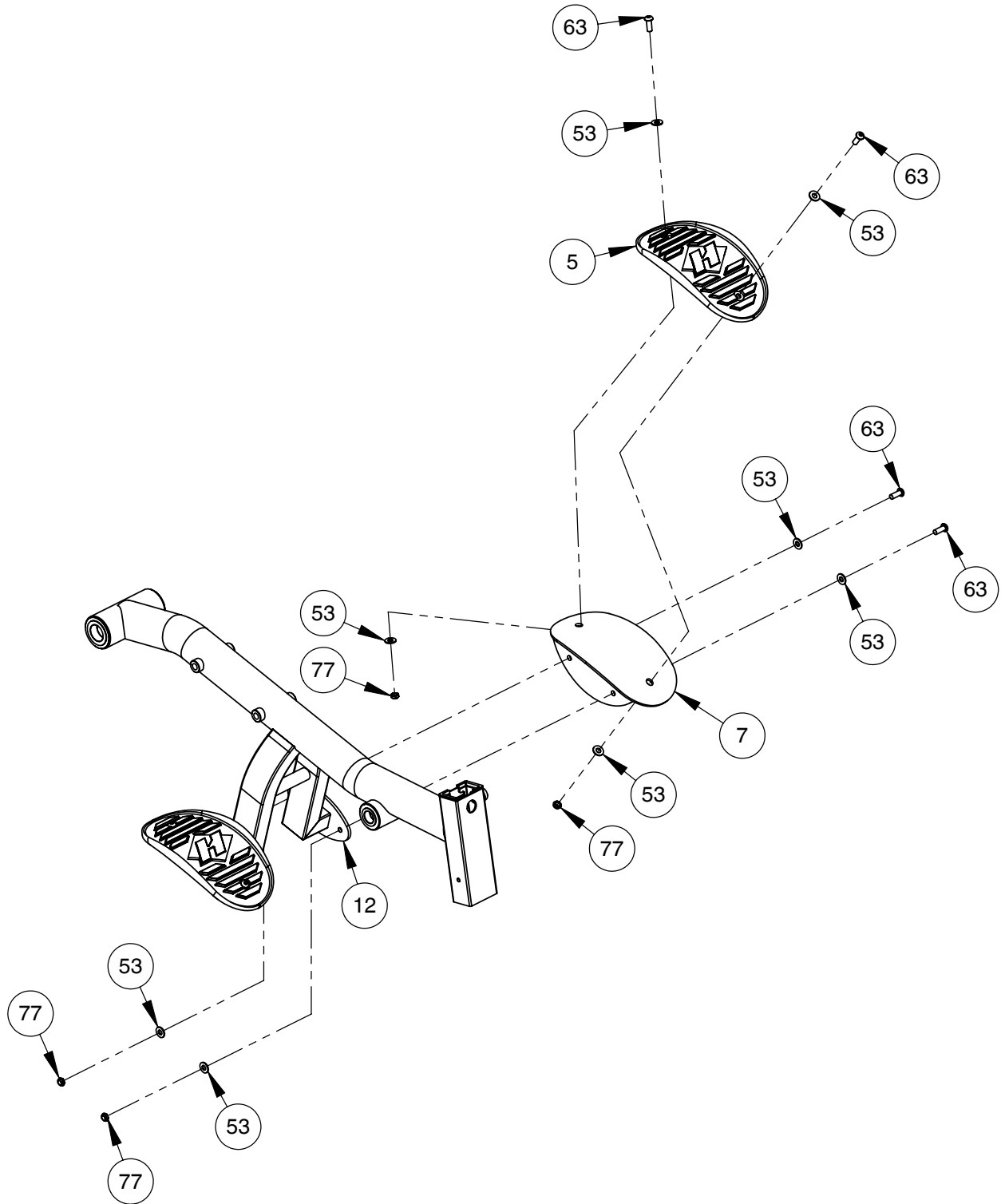
NOTE:
- WRENCH TIGHTEN HARDWARE.
- SOME PARTS MAY HAVE BEEN
REMOVED FOR CLARITY.



OWNER'S MANUAL

FRAME ASSEMBLY

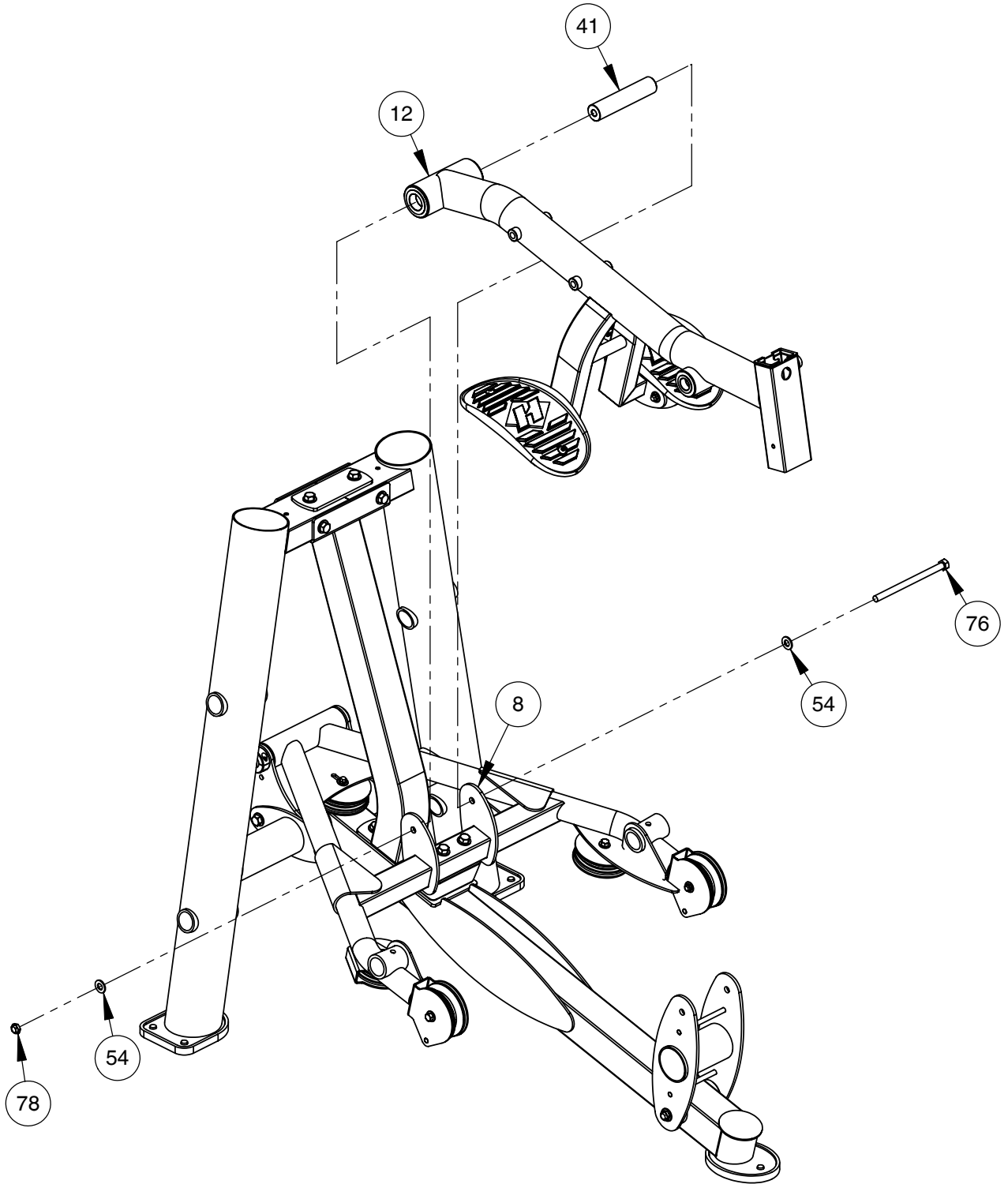
NOTE:
- WRENCH TIGHTEN HARDWARE.
- REPEAT ASSEMBLY FOR OPPOSITE SIDE.



OWNER'S MANUAL

FRAME ASSEMBLY

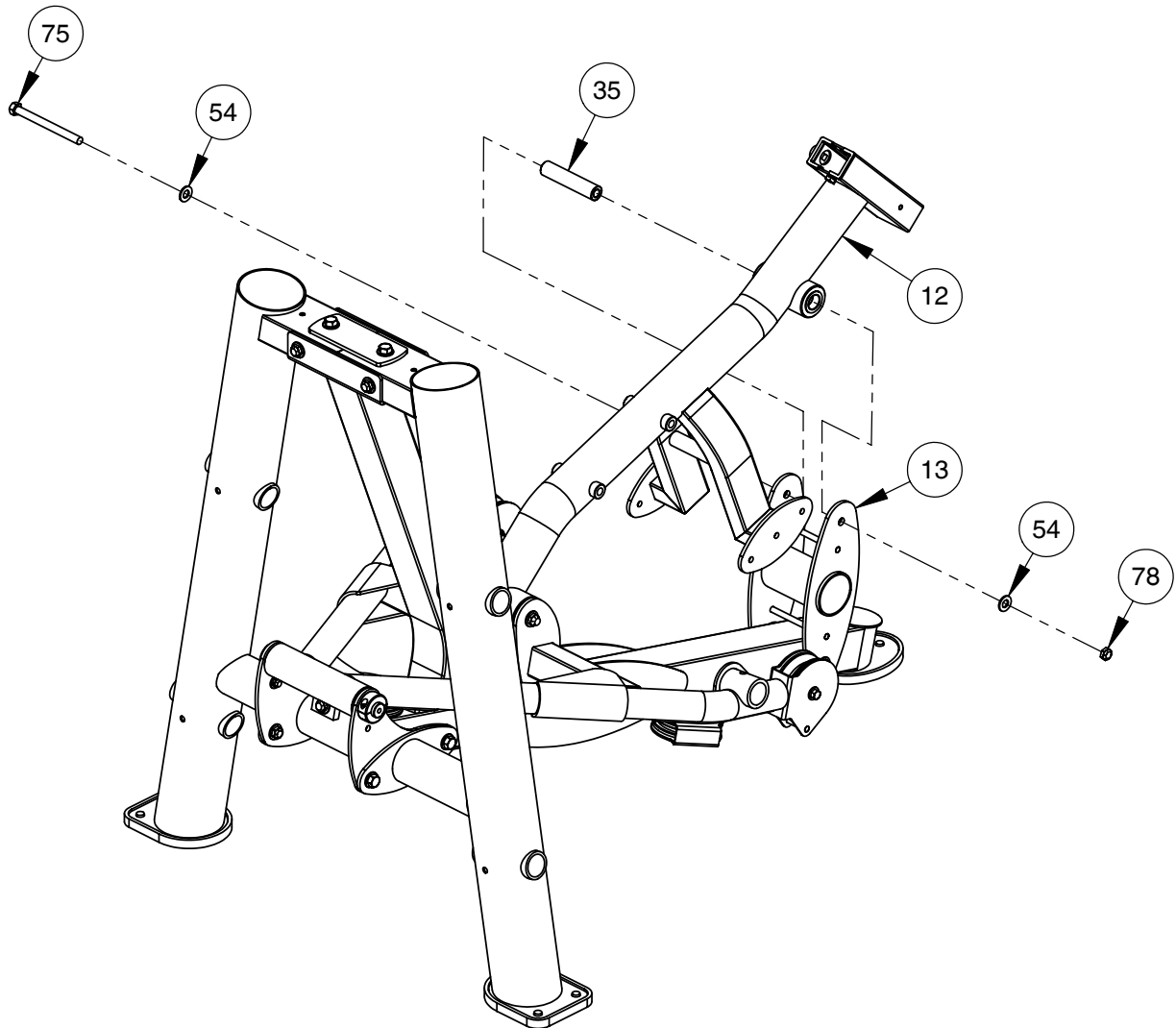
NOTE:
- WRENCH TIGHTEN HARDWARE.
- SOME PARTS MAY HAVE BEEN
REMOVED FOR CLARITY.



OWNER'S MANUAL

FRAME ASSEMBLY

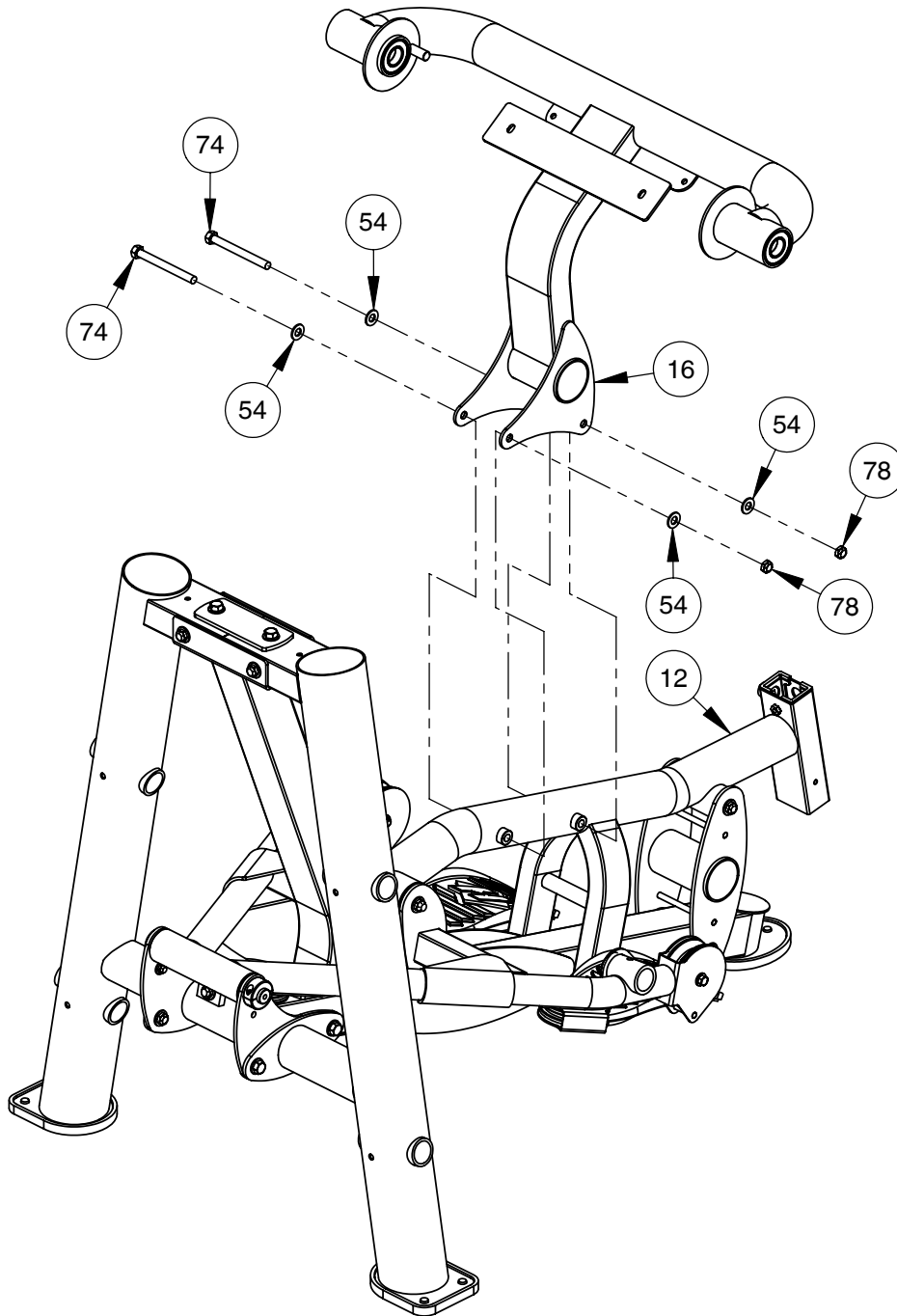
- NOTE:
- WRENCH TIGHTEN HARDWARE.
- SOME PARTS MAY HAVE BEEN REMOVED FOR CLARITY.



OWNER'S MANUAL

FRAME ASSEMBLY

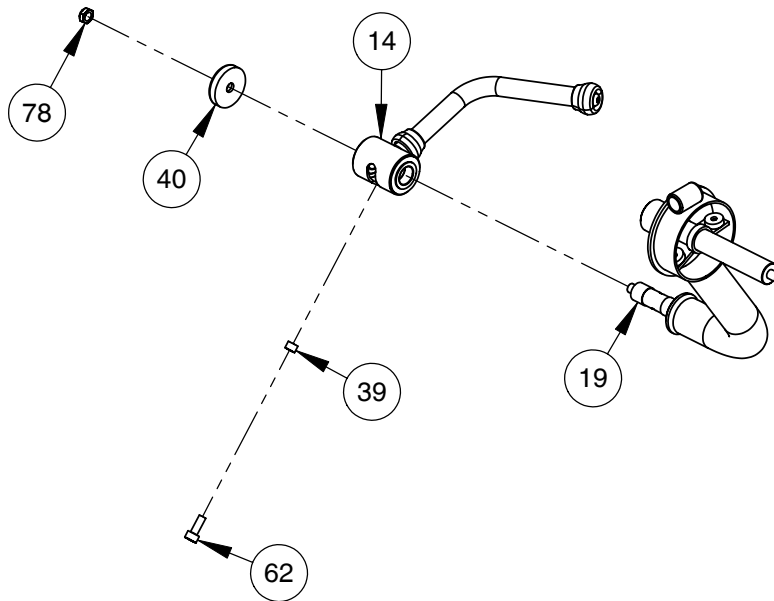
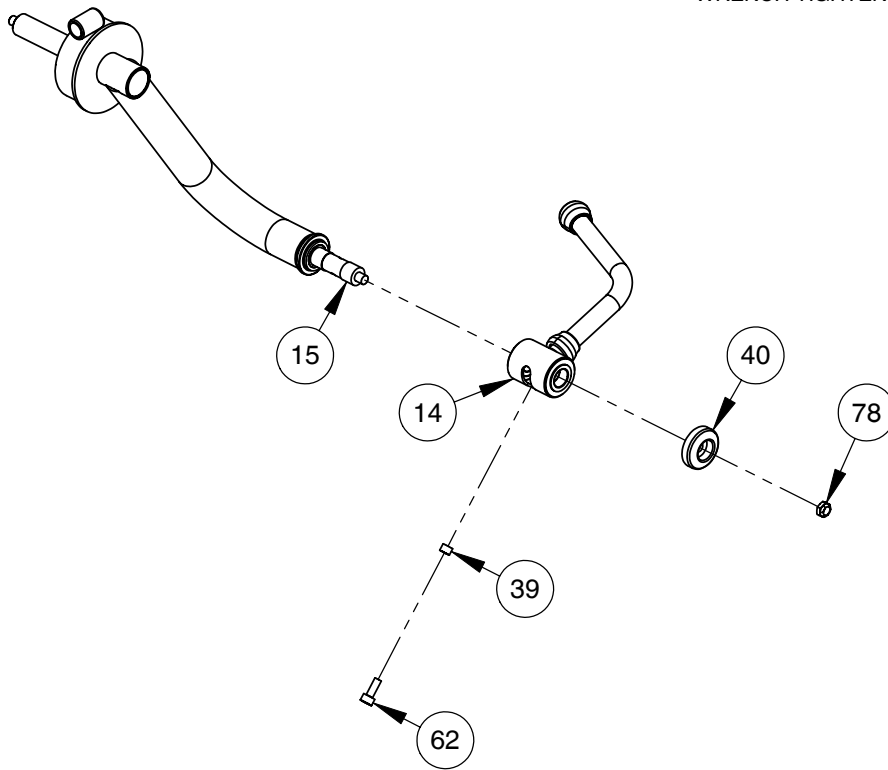
NOTE:
- WRENCH TIGHTEN HARDWARE.
- SOME PARTS MAY HAVE BEEN
REMOVED FOR CLARITY.



OWNER'S MANUAL

FRAME ASSEMBLY

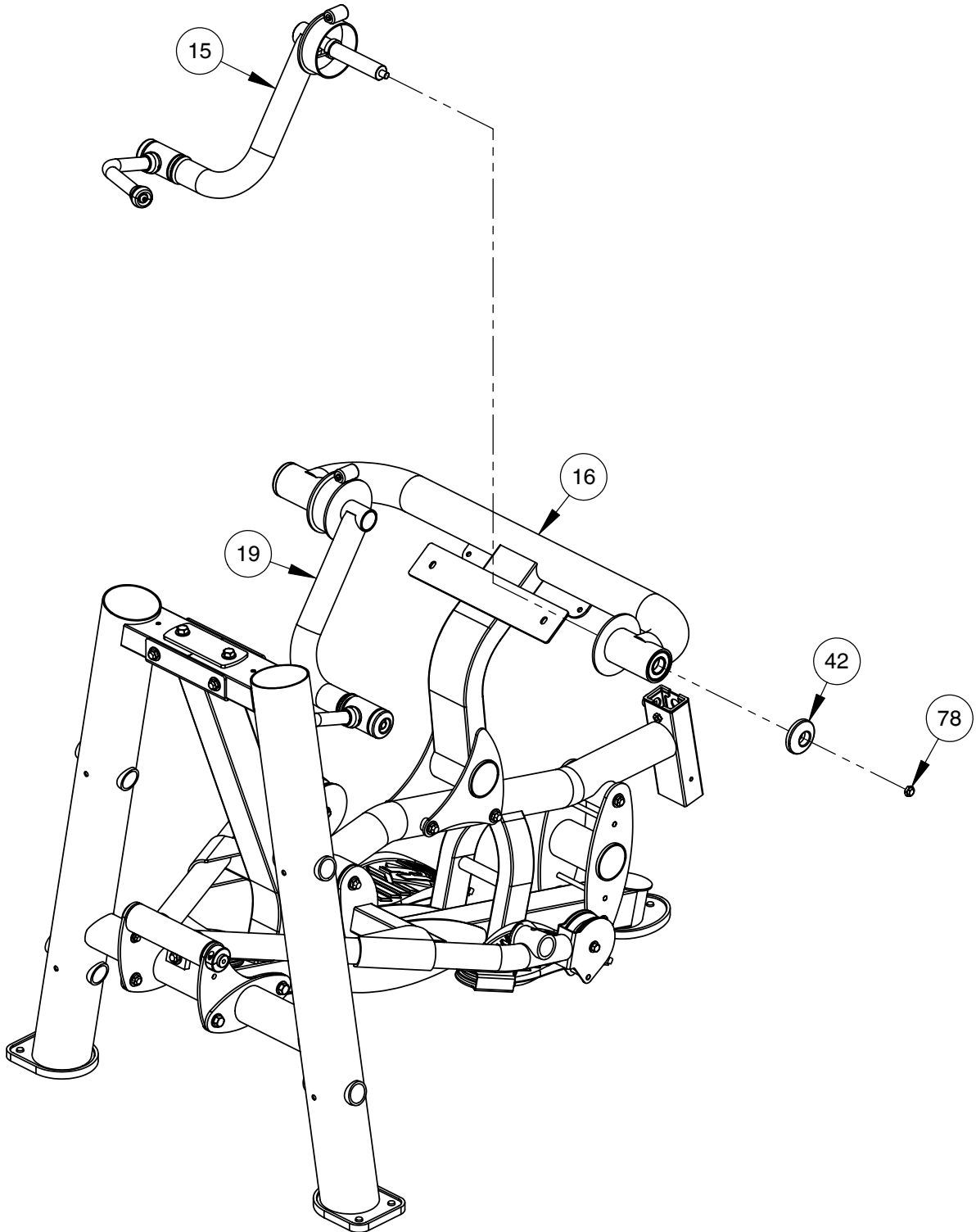
NOTE:
- WRENCH TIGHTEN HARDWARE.



OWNER'S MANUAL

FRAME ASSEMBLY

- NOTE:
- WRENCH TIGHTEN HARDWARE.
 - SOME PARTS MAY HAVE BEEN REMOVED FOR CLARITY.
 - REPEAT ASSEMBLY FOR OPPOSITE SIDE.



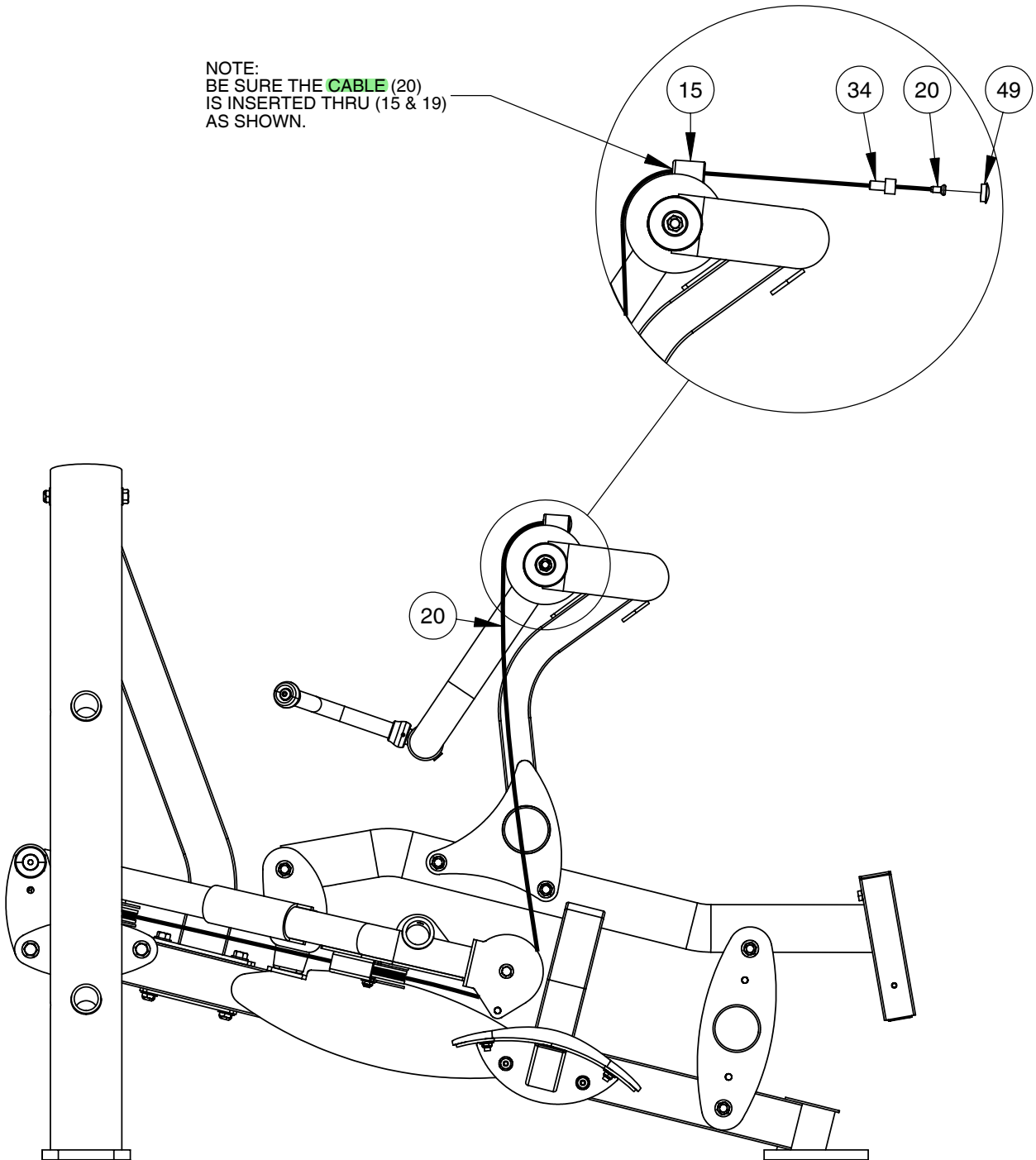
OWNER'S MANUAL

FRAME ASSEMBLY

NOTE:
- SOME PARTS MAY HAVE BEEN
REMOVED FOR CLARITY.

CABLING PROFILE VIEW

NOTE:
BE SURE THE **CABLE** (20)
IS INSERTED THRU (15 & 19)
AS SHOWN.

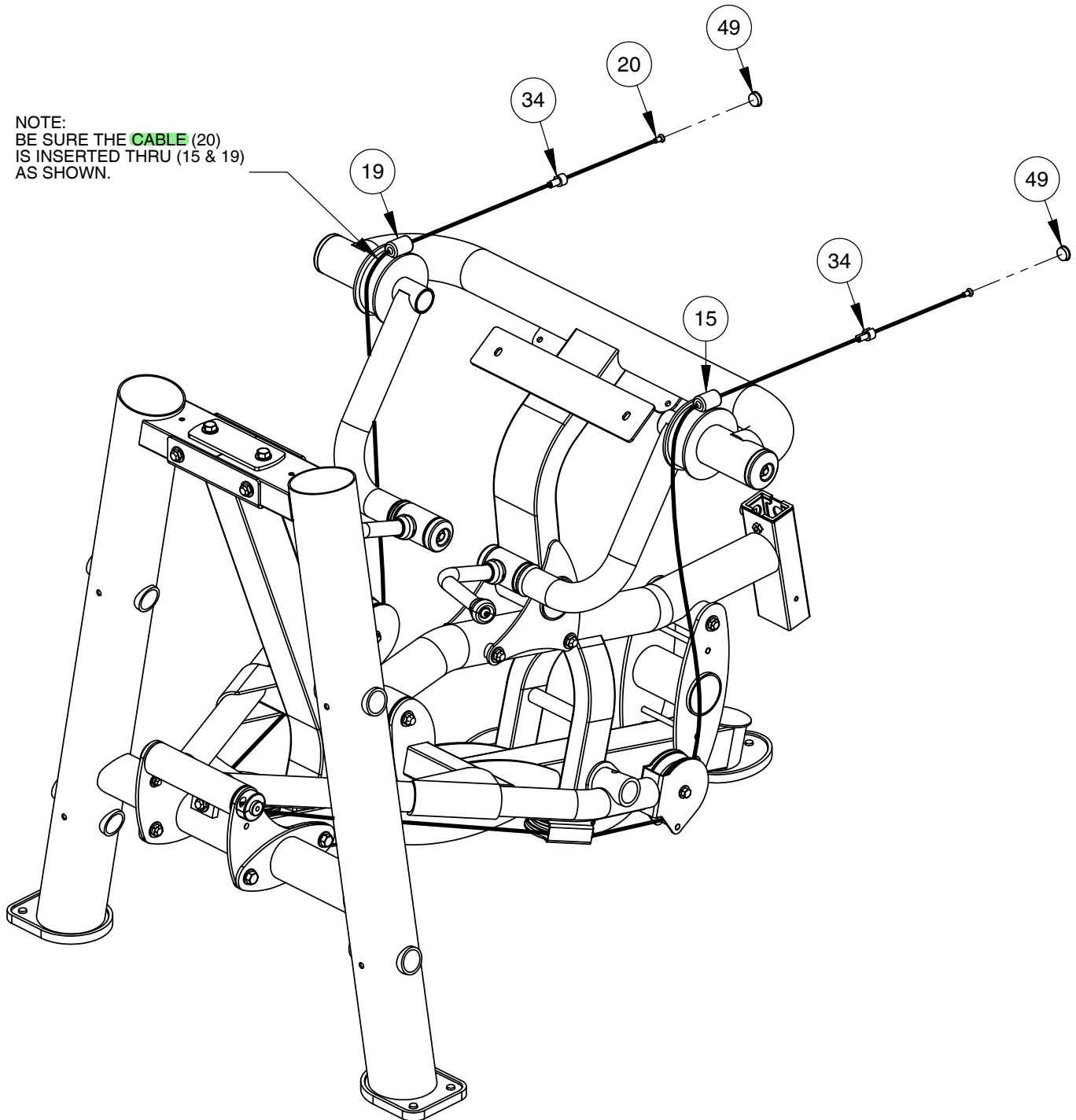


OWNER'S MANUAL

FRAME ASSEMBLY

- NOTE:
- HAND TIGHTEN HARDWARE (49)
 - INTO (15 & 19).
 - SOME PARTS MAY HAVE BEEN REMOVED FOR CLARITY.

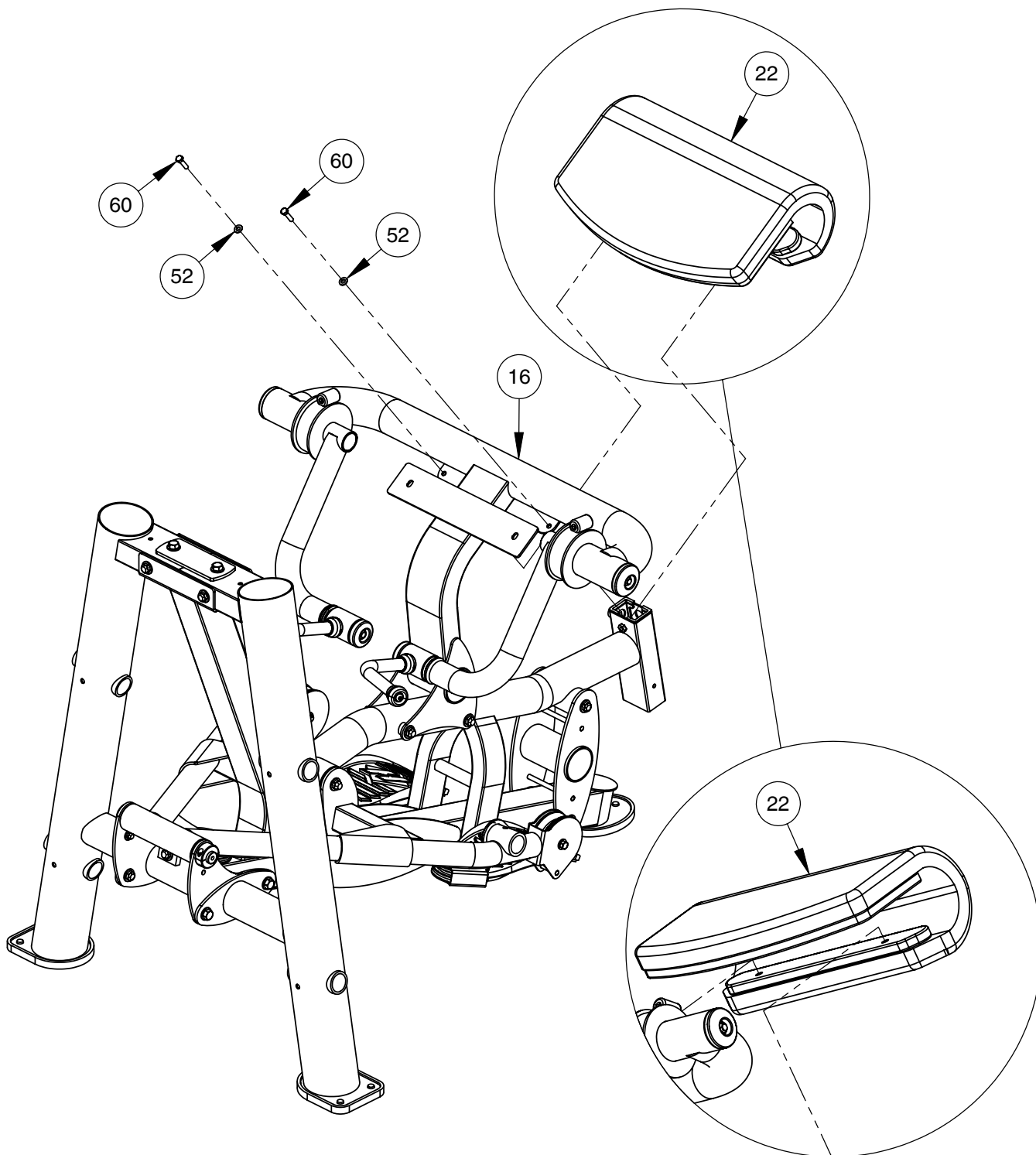
NOTE:
BE SURE THE **CABLE** (20)
IS INSERTED THRU (15 & 19)
AS SHOWN.



OWNER'S MANUAL

FRAME ASSEMBLY

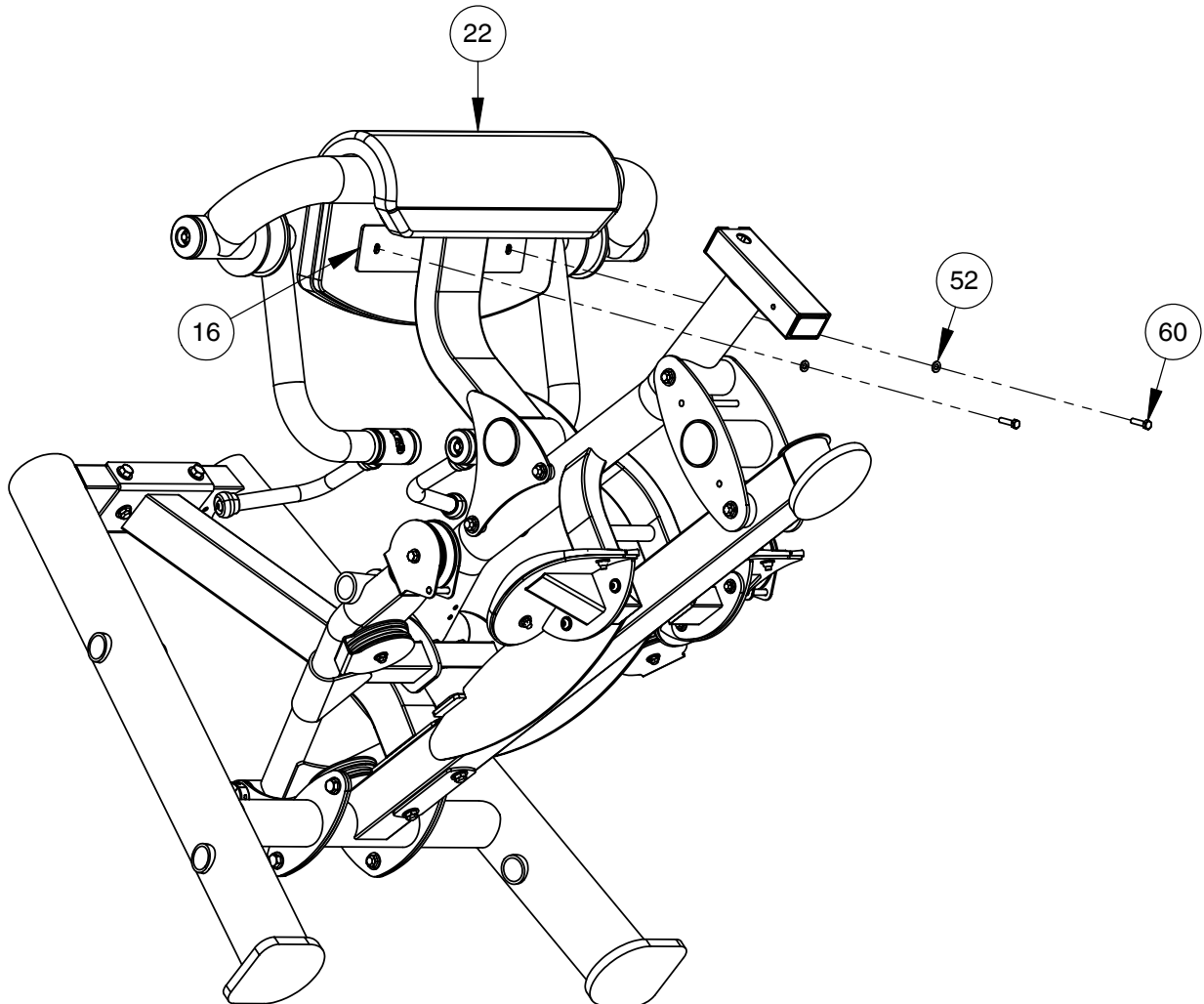
NOTE:
- WRENCH TIGHTEN HARDWARE.
- SOME PARTS MAY HAVE BEEN
REMOVED FOR CLARITY.



OWNER'S MANUAL

FRAME ASSEMBLY

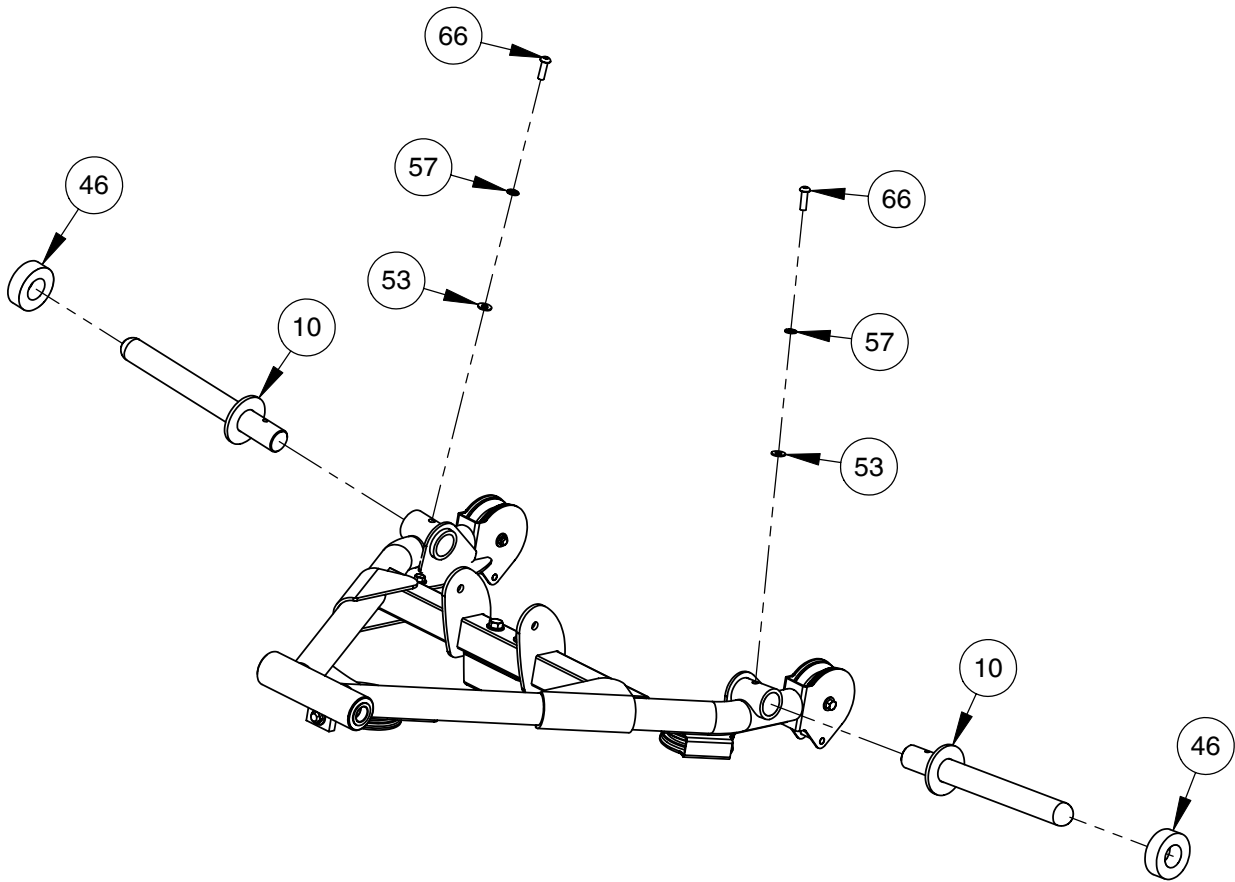
NOTE:
- WRENCH TIGHTEN HARDWARE.
- SOME PARTS MAY HAVE BEEN
REMOVED FOR CLARITY.



OWNER'S MANUAL

FRAME ASSEMBLY

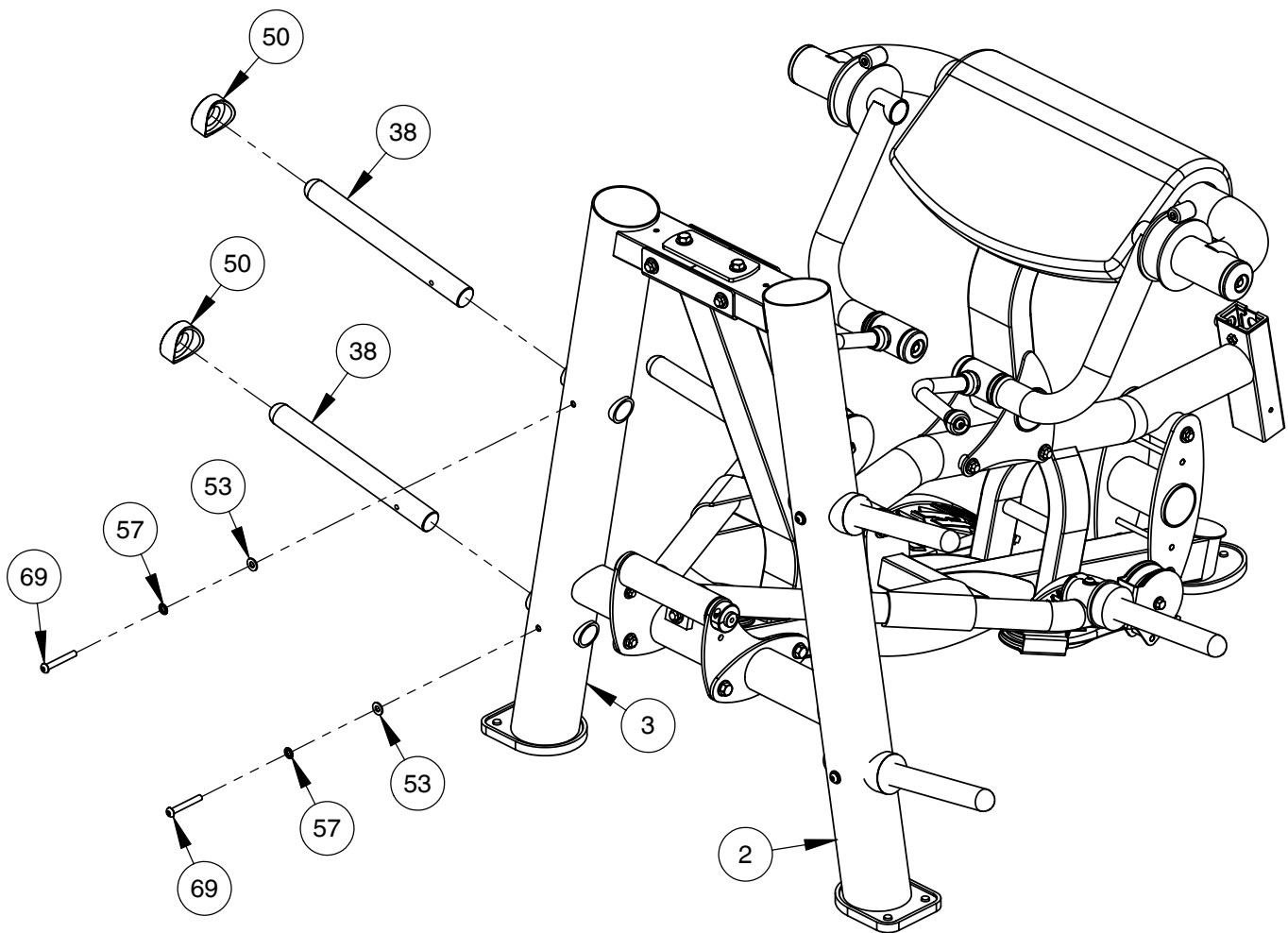
NOTE:
- WRENCH TIGHTEN HARDWARE.
- SOME PARTS MAY HAVE BEEN
REMOVED FOR CLARITY.



OWNER'S MANUAL

FRAME ASSEMBLY

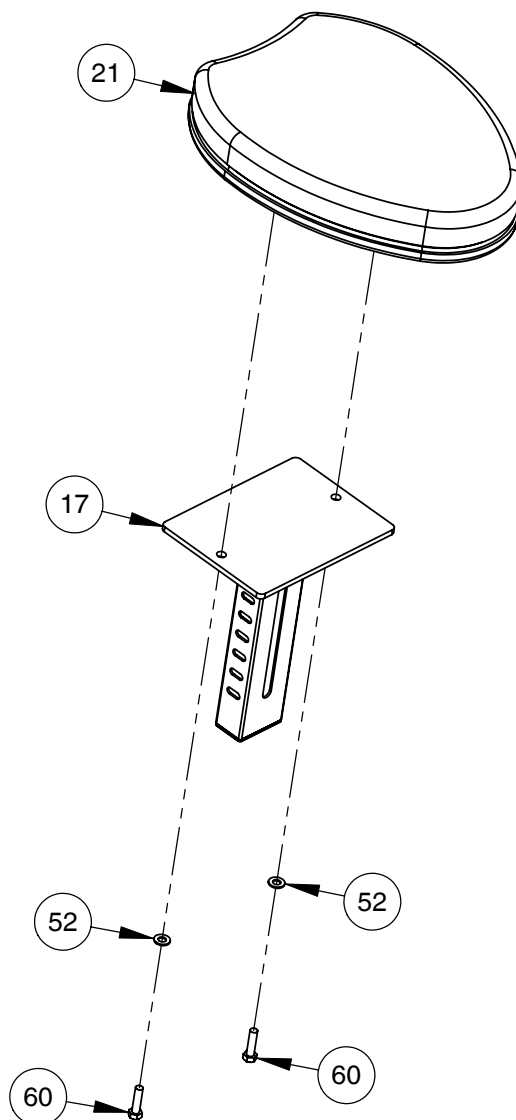
- NOTE:
- WRENCH TIGHTEN HARDWARE.
 - SOME PARTS MAY HAVE BEEN REMOVED FOR CLARITY.
 - REPEAT ASSEMBLY FOR OPPOSITE SIDE.



OWNER'S MANUAL

FRAME ASSEMBLY

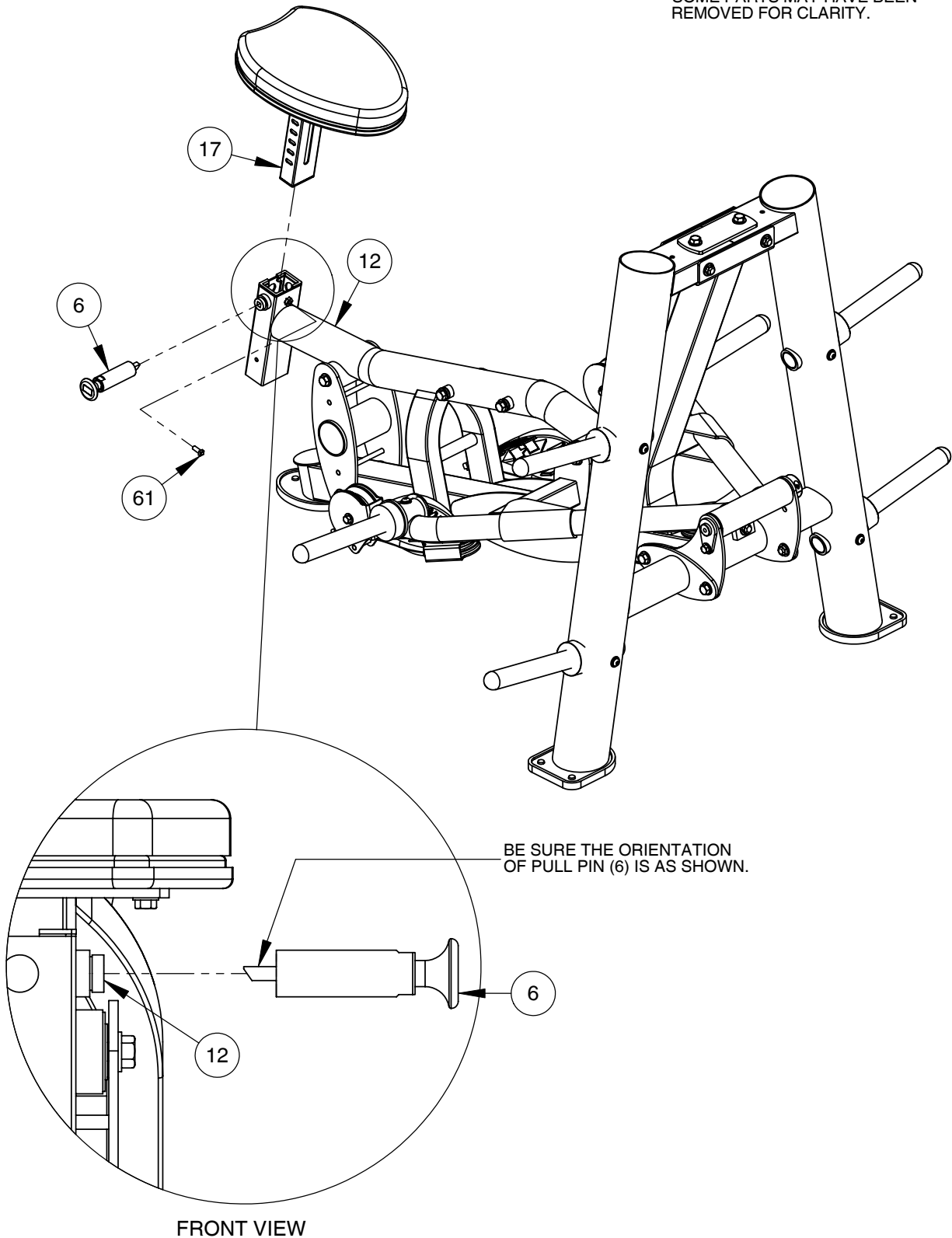
NOTE:
- WRENCH TIGHTEN HARDWARE.
- SOME PARTS MAY HAVE BEEN
REMOVED FOR CLARITY.



OWNER'S MANUAL

FRAME ASSEMBLY

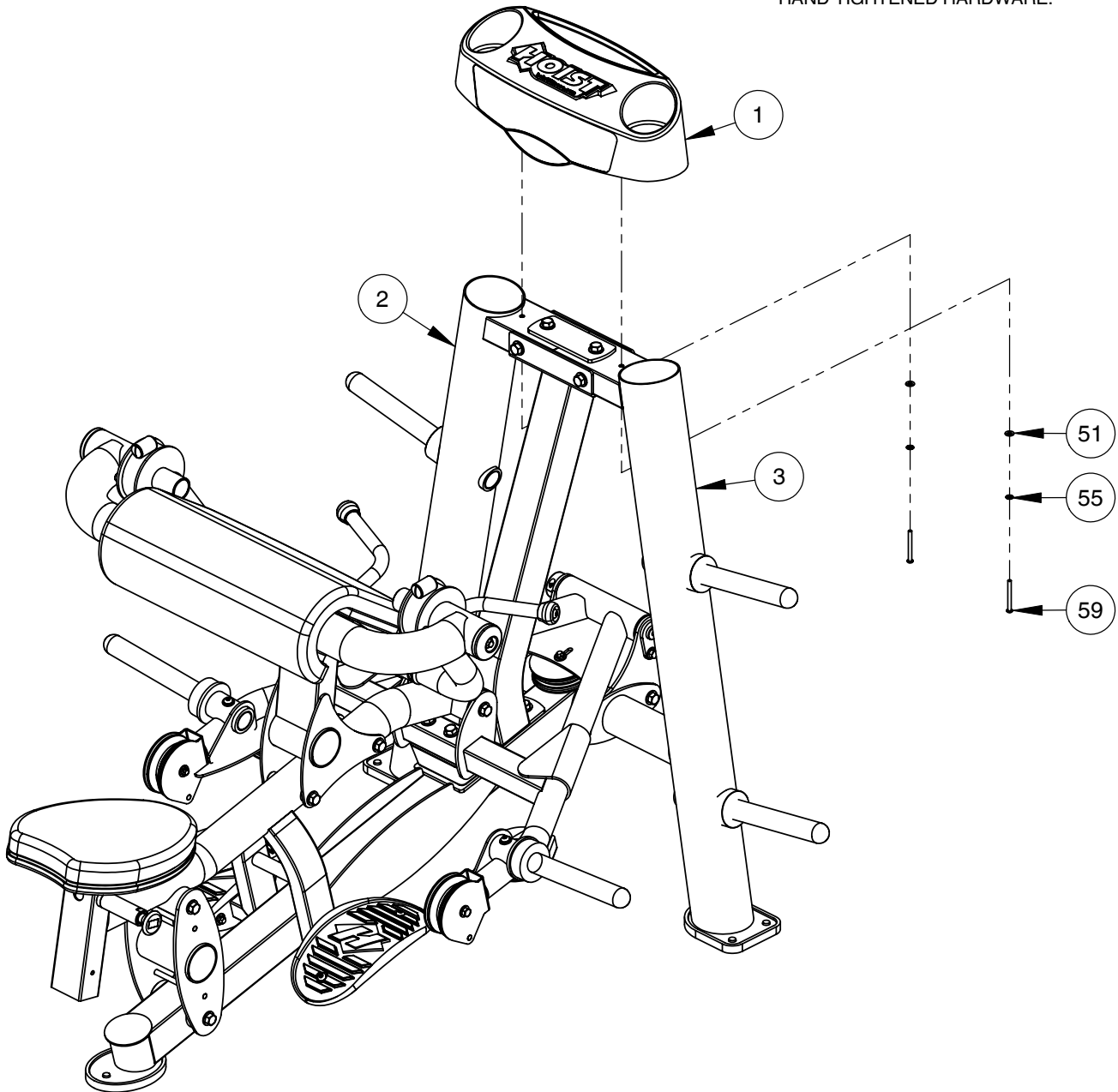
NOTE:
- WRENCH TIGHTEN HARDWARE.
- SOME PARTS MAY HAVE BEEN
REMOVED FOR CLARITY.



OWNER'S MANUAL

FRAME ASSEMBLY

- NOTE:
- WRENCH TIGHTEN HARDWARE.
 - SOME PARTS MAY HAVE BEEN REMOVED FOR CLARITY.
 - WRENCH TIGHTEN ALL PREVIOUSLY HAND TIGHTENED HARDWARE.



IMPORTANT

NOW THAT THE RPL-5102 IS COMPLETELY ASSEMBLED TAKE TIME TO ASSURE THAT YOUR UNIT IS ASSEMBLED SQUARE AND PERPENDICULAR. IF NOT, IT WILL BE NECESSARY TO LOOSEN SOME FRAME HARDWARE TO RE-ALIGN THE FRAME AND RETIGHTEN BOLTS.

OWNER'S MANUAL

MACHINE ADJUSTMENT

NOTE:

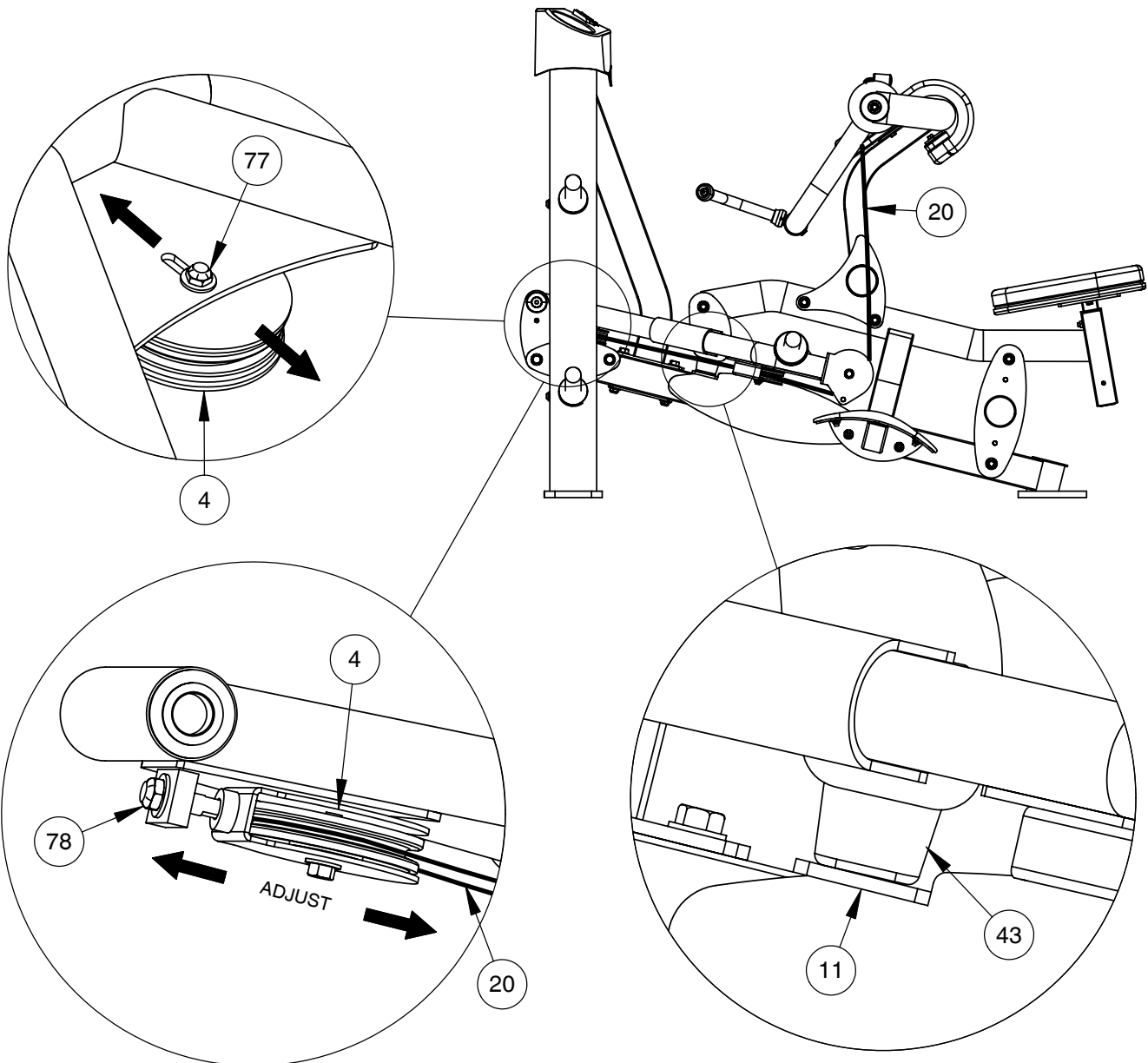
- SOME PARTS MAY HAVE BEEN REMOVED FOR CLARITY.

STEP 1:

- LOOSEN NUTS (77 & 78).

STEP 2:

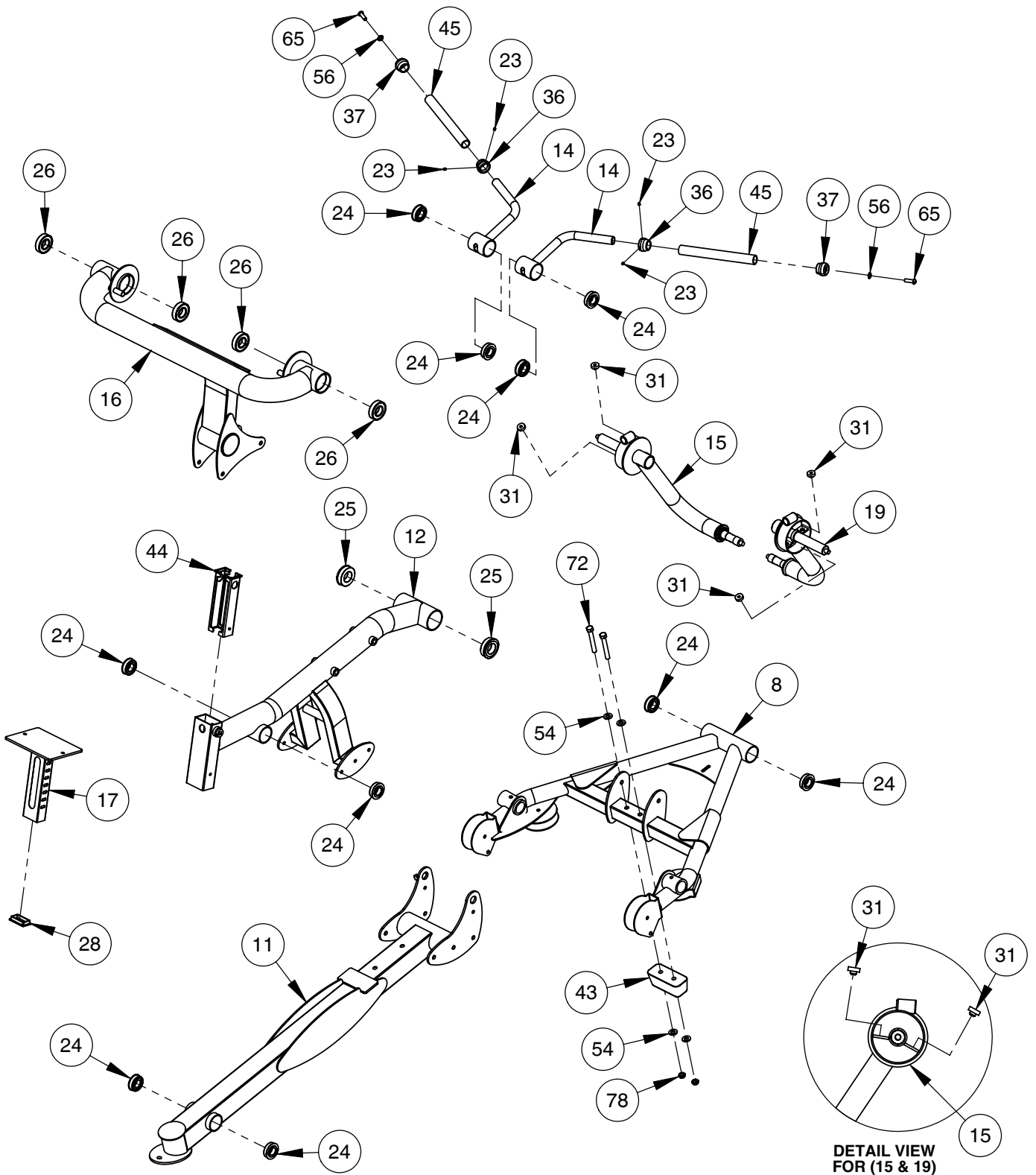
- BE SURE BUMPER (43) STAYS IN CONTACT WITH FRAME (11), THEN ADJUST POSITION OF PULLEY (4) TO ADJUST TENSION OF **CABLE** (20).
- ONCE DESIRED TENSION IS REACHED, WRENCH TIGHTEN NUTS (77 & 78).
- WRENCH TIGHTEN ALL PREVIOUSLY HAND TIGHTENED HARDWARE.



BE SURE BUMPER (43) STAYS IN CONTACT WITH FRAME (11).

OWNER'S MANUAL

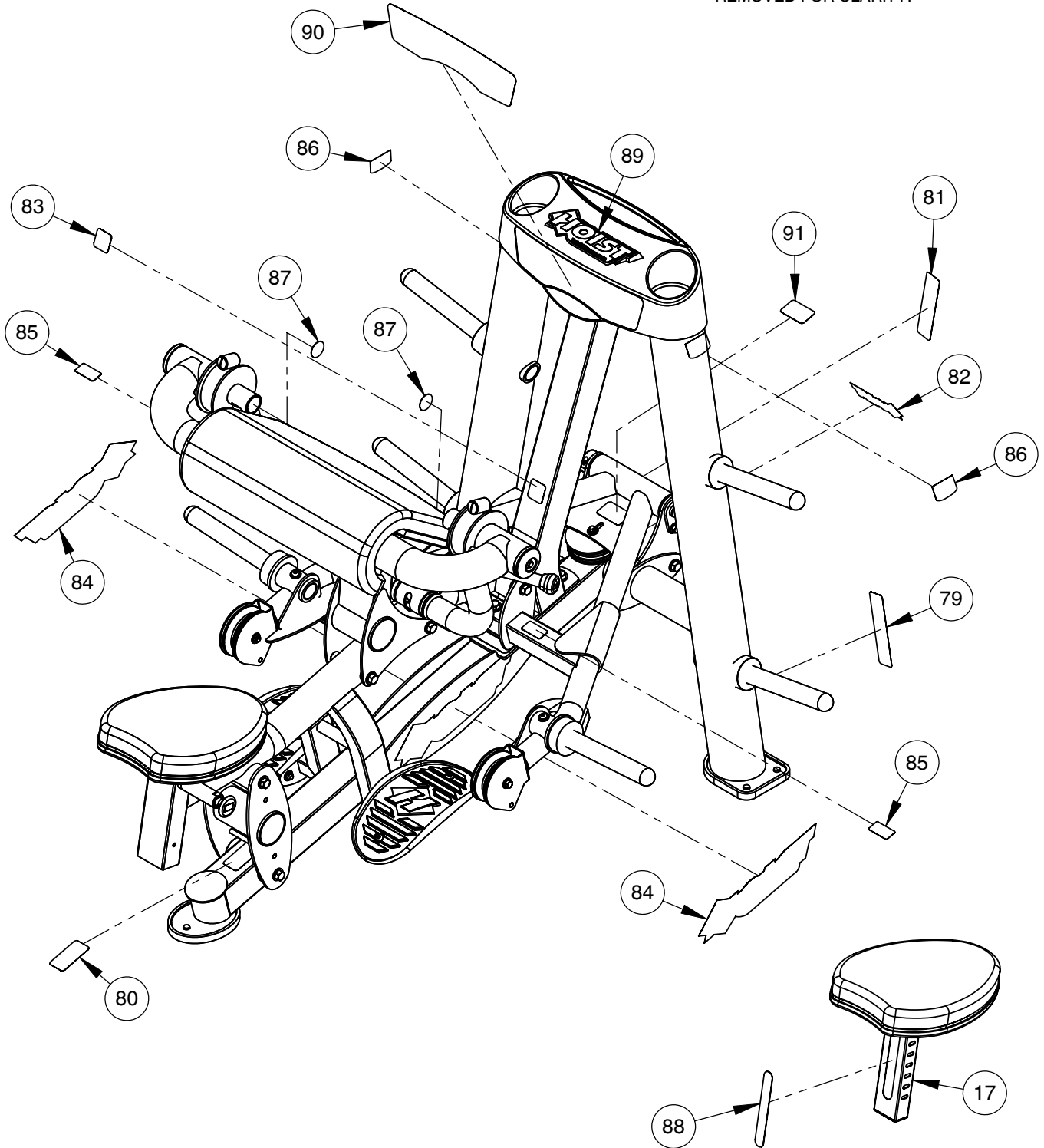
PRE-ASSEMBLY



OWNER'S MANUAL

DECAL PLACEMENT

NOTE:
- ALL DECALS ARE CENTERED
UNLESS OTHERWISE STATED.
- SOME PARTS MAY HAVE BEEN
REMOVED FOR CLARITY.



OWNER'S MANUAL

DECAL REFERENCE



021-0003405



021-0003341



021-0003113



SERIAL # DECAL



021-0003320



021-0003135

NOTICE	COMMERCIAL MAINTENANCE	Frequency			
		Daily	Weekly	Monthly	Yearly
Inspect: Links, Pull Pins, Snap Locks, Swivels, Weight Stack Pins		X			
Clean: Upholstery		X			
Inspect: Cables or Belts and their tension		X			
Inspect: Accessory Bars and Handles			X		
Inspect: All Decals			X		
Inspect: All nuts and Bolts Tighten if Needed.			X		
Inspect: Anti-Skid Surfaces			X		
Clean & Lubricate: Guide Rods with a Teflon (PTFE) based lubricant (Superlube)				X	
Lubricate: Seat Sleeves, Turcite Bushings, Linear Bearing			X		
Clean & Wax: All Glossy Finishes				X	
Repack with Grease Linear Bearings				X	
Replace: Cables, Belts and Connecting Parts.					X

021-0003008

OWNER'S MANUAL

DECAL REFERENCE CONTINUED



021-0003334



021-0018022



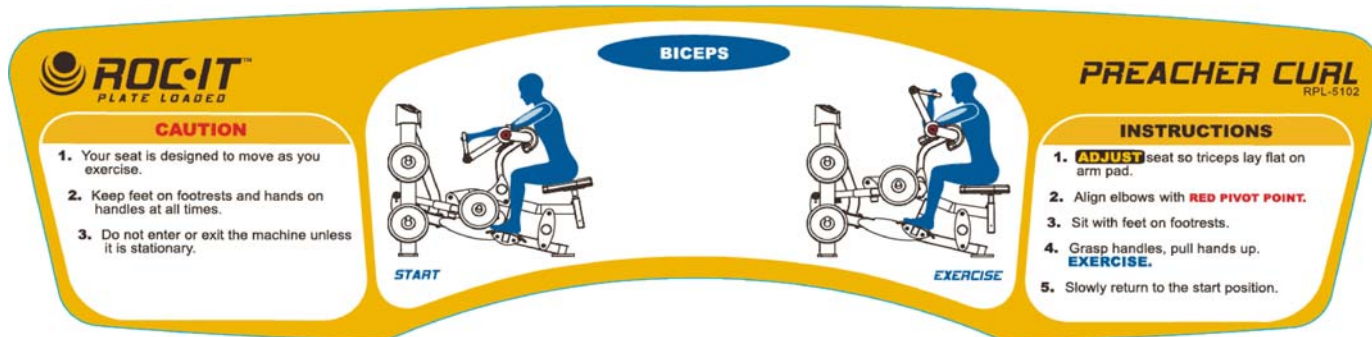
021-0003230



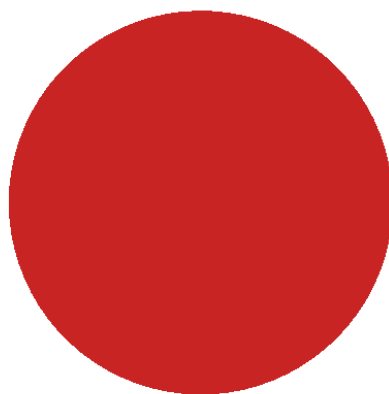
021-0004032

OWNER'S MANUAL

DECAL REFERENCE CONTINUED



021-0003691



021-0003725

OWNER'S MANUAL

PART LIST

NOTE: SOME OF THESE PARTS MAY COME PRE-INSTALLED

ITEM NO.	PART NUMBER	DESCRIPTION	QTY
1	026-01PL2236	TOP CAP W/INSERTS	1
2	026-01X3294	REAR UPRIGHT LEFT ASSEMBLY	1
3	026-01X3377	REAR UPRIGHT RIGHT ASSEMBLY	1
4	026-01X2026	ADJUSTABLE PULLEY MOUNT	1
5	026-01X2402	FOOT PLATE ASSEMBLY	2
6	026-01X2849	RACHET PULL-PIN ASSEMBLY	1
7	026-01X2975	FOOT PLATE MOUNT ASSEMBLY	2
8	026-01X3284	LIFT ARM	1
9	026-01X3287	SHAFT, LIFT-ARM ASSEMBLY	1
10	026-01X3305	WEIGHT HORN ASSEMBLY	2
11	026-01X3319	BASE FRAME ASSEMBLY	1
12	026-01X3320	USER SUPPORT FRAME	1
13	026-01X3321	FLOATING LINK	1
14	026-01X3323	HANDLE ASSEMBLY	2
15	026-01X3324	CURL ARM LEFT	1
16	026-01X3325	USER SUPPORT FRAME, UPPER	1
17	026-01X3356	SEAT ADJUSTER ASSEMBLY	1
18	026-01X3415	CENTER UPRIGHT	1
19	026-01X3419	CURL ARM RIGHT	1
20	010-01C0611	CABLE ASSEMBLY: RPL BICEP 133.25" LG	1
21	022-01PD2054-A	SEAT PAD ASSEMBLY	1
22	022-01PD2097-A	ARM PAD ASSEMBLY	1
23	011-0411001	SET SCREW: 1/4"-28 X .25" LG. (SS)	4
24	014-0009007	BEARING: FLANGED Ø2.00" O.D. X Ø1.00" I.D.	10
25	014-0012010	BEARING: FLANGED BEARING Ø2.50" O.D. X Ø1.39" I.D.	2
26	014-0012013	BEARING: BALL BEARING Ø2.44 O.D. X Ø1.18" I.D.	4
27	014-0019005-2	SPLIT COLLAR: 1.00" I.D. X 20mmT NON-THREADED	1
28	016-0001003	END CAP 1.50" X 2.50" (BLACK)	1
29	018-0001003	CABLE PULLEY: Ø4.50"	3
30	018-0002012	WIDE GROOVE PULLEY Ø4.50"	2
31	019-0001001	PLUG BUMPER	4
32	026-01F0251	BRACKET PLATE: 2 HOLES 7.00" X 2.75"	1
33	026-01F0307	FLANGE: 2 HOLES 6.25" X 2.50"	1
34	026-01M0199	QUICK RELEASE CABLE LOCK Ø 1/4"	2
35	026-01M0660	SHAFT Ø1.00" O.D. X Ø .52" I.D. X 4.69" LG.	2

OWNER'S MANUAL

PART LIST CONTINUED

NOTE: SOME OF THESE PARTS MAY COME PRE-INSTALLED

ITEM NO.	PART NUMBER	DESCRIPTION	QTY
36	026-01M0936	ALUMINIUM RING: ϕ 1.00" I.D.	2
37	026-01M0937	END CAP: ALUMINUM ϕ 1.0" I.D.	2
38	026-01M1185	WEIGHT HORN SHAFT 15.00"LG.	4
39	026-01M2043	BOLT STAND-OFF	2
40	026-01M2320	END CAP: DOMED ϕ 2.25" O.D.	2
41	026-01M2348	SHAFT ϕ 1.375" X 6.35" LG.	1
42	026-01M2356	END CAP: DOMED ϕ 2.75" O.D.	2
43	026-01PL2246	DUAL HOLE BUMPER 2.05" THICK	1
44	026-01PL0125	E-Z GLIDE PLASTIC SLEEVE	2
45	026-01PL0206-13	ϕ .938" X 10.50" LG. OPEN END GRIP	2
46	026-01PL0264	WEIGHT HORN RUBBER DONUT	2
47	026-01PL2122	OVAL-SHAPED RUBBER FOOT	1
48	026-01PL2131	D-SHAPED RUBBER FOOT	2
49	026-01PL2140	BLACK NYLON THREADED CAP	2
50	026-01PL2313	WEIGHT HORN RUBBER DONUT W/ 3.75 COPE	4
51	013-0002003	1/4" X 16mm SAE FLAT WASHER (WZ)	2
52	013-0302008	5/16" SAE FLAT WASHER (WZ)	6
53	013-0402007	3/8" X 22mm FLAT WASHER (WZ)	34
54	013-0102003	1/2" X 27mm SAE FLAT WASHER (WZ)	35
55	013-0102023	1/4" INTERNAL LOCK WASHER	2
56	013-0408001	3/8" INTERNAL LOCK WASHER (SS)	2
57	013-0102022	3/8" INTERNAL LOCK WASHER	6
58	011-0007097	1/4"-20UNC X .75" SHCS (BZ)	2
59	011-0101122	1/4"-20UNC X 2.50" BHCS (WZ) w/ NYLON PATCH	2
60	011-0107011	5/16"-18UNC X 1.25" HHB (WZ)	6
61	011-0311013	3/8"-16UNC X .75" SQUARE HEAD (WZ)	1
62	011-0101063	3/8"-16UNC X 1.00" SHCS (WZ)	2
63	011-0101026	3/8"-16UNC X 1.00" BHCS (WZ)	8
64	011-0407022	3/8"-16UNC X 1.00" HHB (WZ)	1
65	011-0401002	3/8"-16UNC X 1.25" BHCS (SS)	2
66	011-0101034	3/8"-16UNC X 1.25" BHCS (WZ)	2
67	011-0407058	3/8"-16UNC X 2.00" HHB (WZ)	3
68	011-0107026	3/8"-16UNC X 2.25" HHB (WZ)	2
69	011-0101016	3/8"-16UNC X 2.75" BHCS (WZ)	4
70	011-0407042	1/2"-13UNC X 1.00" HHB (WZ)	4

OWNER'S MANUAL

PART LIST CONTINUED

NOTE: SOME OF THESE PARTS MAY COME PRE-INSTALLED

ITEM NO.	PART NUMBER	DESCRIPTION	QTY
71	011-0407016	1/2"-13UNC X 3.00" HHB (WZ)	2
72	011-0407000	1/2"-13UNC X 3.50" HHB (WZ)	2
73	011-0407047	1/2"-13UNC X 4.00" HHB (WZ)	2
74	011-0107014	1/2"-13UNC X 5.00" HHB (WZ)	4
75	011-0107036	1/2"-13UNC X 5.75" HHB (WZ)	2
76	011-0107066	1/2"-13UNC X 7.50" HHB (WZ)	1
77	012-0104008	3/8"-16 UNC THIN NYLOCK NUT (WZ)	14
78	012-0304011	1/2"-13 UNC THIN NYLOCK NUT (WZ)	22
79	021-0003008	DECAL COMMERCIAL MAINTENANCE 1.50" X 6.69"	1
80	021-0003113	DECAL PINCH POINT 1.63" X 3.25" (VERTICAL)	1
81	021-0003135	DECAL WARNING 1.50" X 6.69"	1
82	021-0003230	DECAL HOIST 1.63" X 5.93"	1
83	021-0003320	DECAL 800 LB. WEIGHT RATING (1.63" X 1.63")	1
84	021-0003334	DECAL HOIST 3.90" X 14.25"	2
85	021-0003341	DECAL PINCH POINT 1.07" X 2.13" (HORIZONTAL)	2
86	021-0003405	DECAL ROX	2
87	021-0003725	DECAL Ø 1.44" RED PIVOT POINT	2
88	021-0004032	DECAL ADJUST 1-7 VERTICAL TXT.	1
89	021-0018022	DECAL HOISTFITNESS.COM LOGO	1
90	021-0003691	RPL-5102 PREACHER CURL PLACARD	1
91	SERIAL # DECAL	DECAL HOIST SERIAL # 1.63" X 2.63"	1

OWNER'S MANUAL

ABBREVIATIONS

BZ = Black Zinc

WZ = White Zinc

HHB = Hex Head Bolt

FHCS = Flat Head Cap Screw

BHCS = Button Head Cap Screw

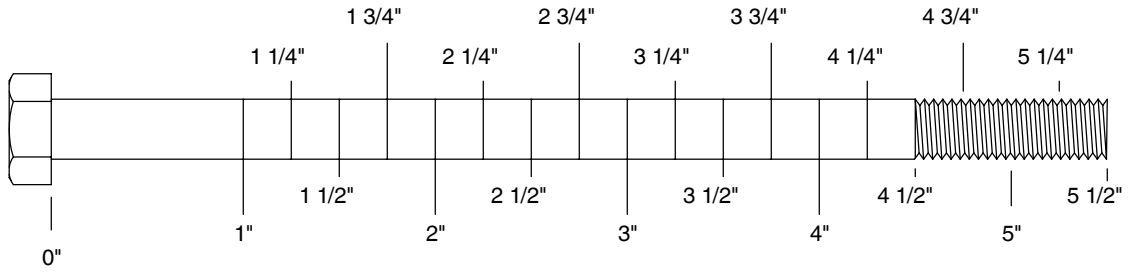
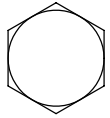
SHCS = Socket Head Cap Screw

SHSS = Socket Head Shoulder Screw

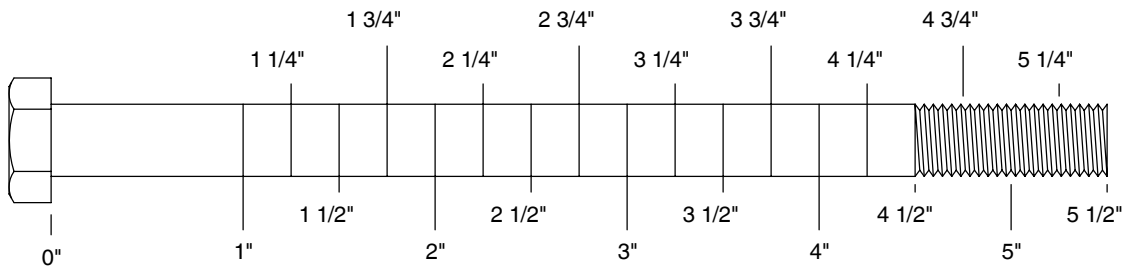
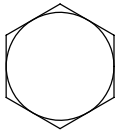
OWNER'S MANUAL

BOLT SIZING CHART

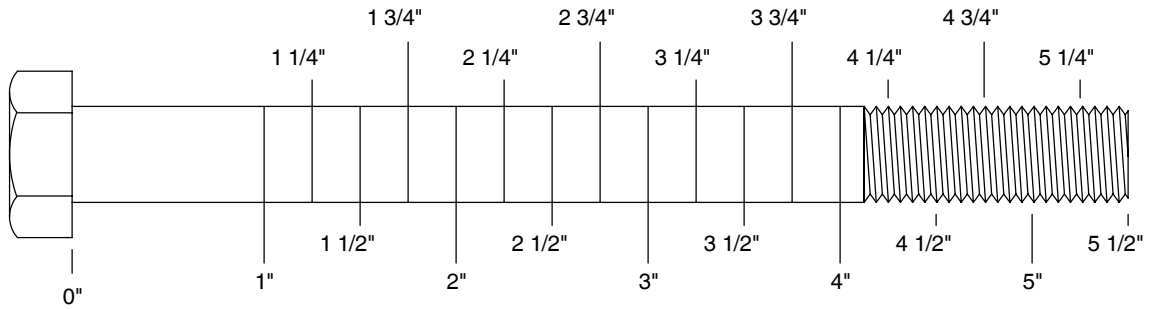
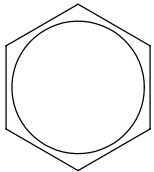
5/16" HHB



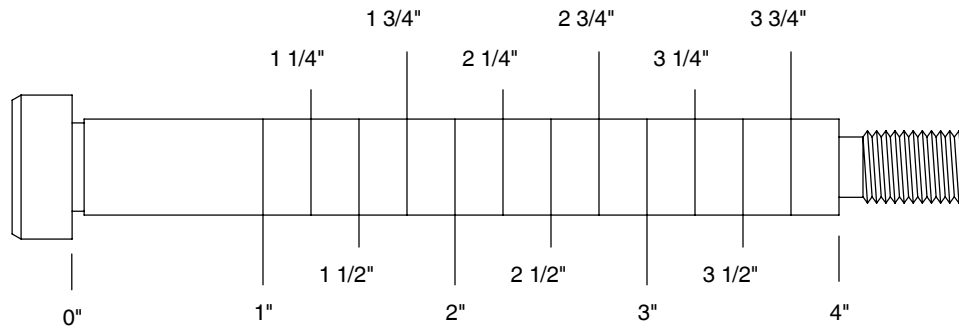
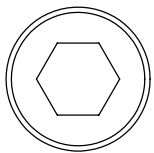
3/8" HHB



1/2" HHB

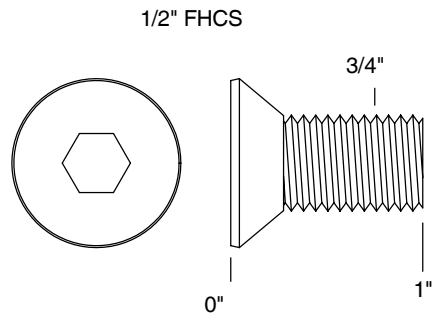
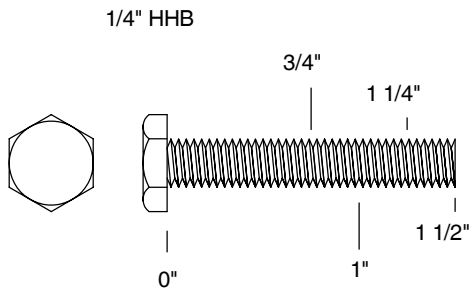
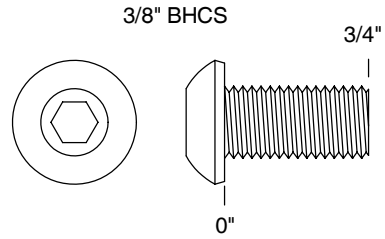
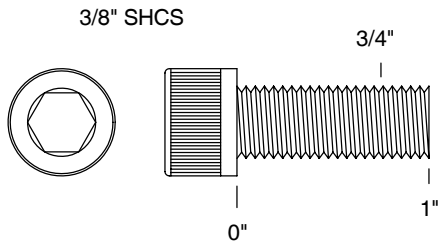
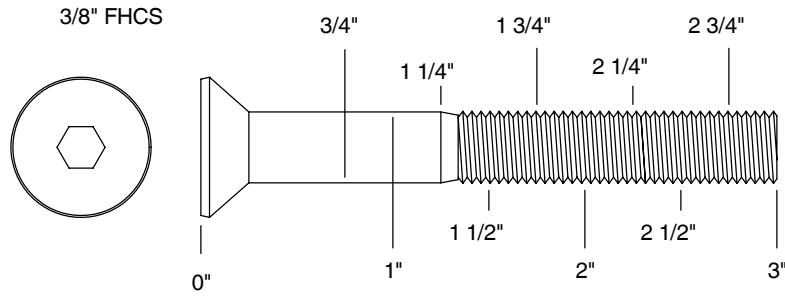


1/2" SHSS



OWNER'S MANUAL

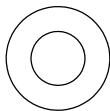
BOLT SIZING CHART (CONTINUED)



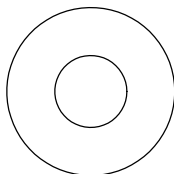
OWNER'S MANUAL

WASHER SIZING CHART

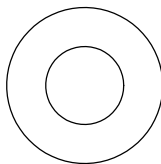
013-0002003
1/4"
FLAT WASHER
SMALL, SAE, 13mm



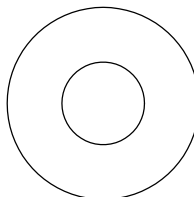
013-0102004
5/16"
FLAT WASHER
LARGE, USS, 22mm



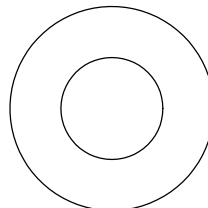
013-0002004
3/8"
FLAT WASHER
SMALL, SAE, 21mm



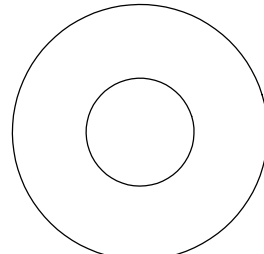
013-0402005
3/8"
FLAT WASHER
LARGE, USS, 25mm



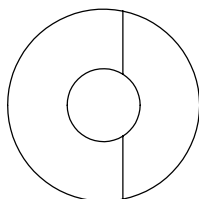
013-0102003
1/2"
FLAT WASHER
SMALL, SAE, 27mm



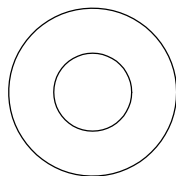
013-0102026
1/2"
FLAT WASHER
LARGE, USS, 34mm



013-0102028
3/8"
CURVED WASHER



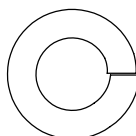
013-0402007
3/8"
FLAT WASHER
22mm O.D.



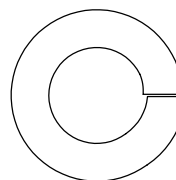
013-0102019
1/4"
LOCK WASHER



013-0102020
3/8"
LOCK WASHER



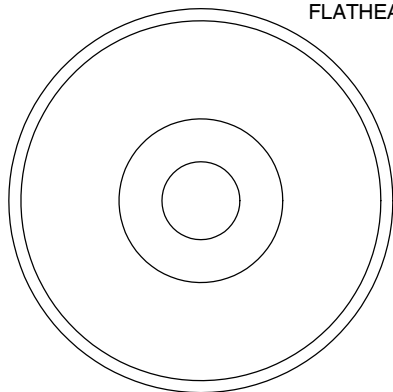
013-0102018
1/2"
LOCK WASHER



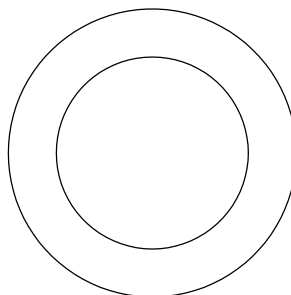
014-0018001
1/2" LONG
SPACER



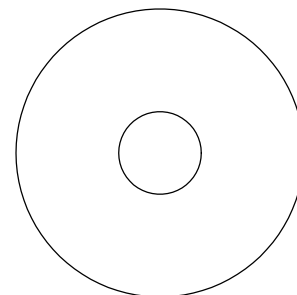
026-01M0238
2" ALUMINUM
FLATHEAD CAP



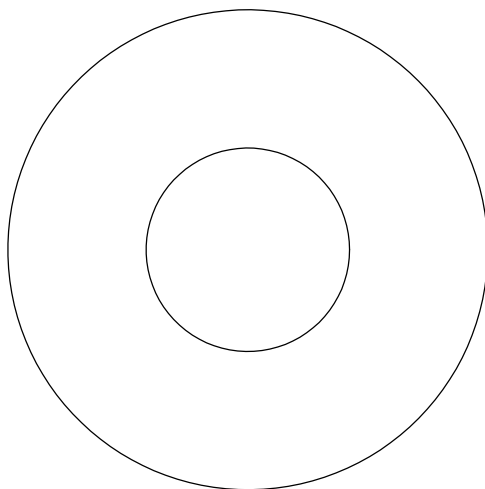
016-0009003
1" SHIM WASHER



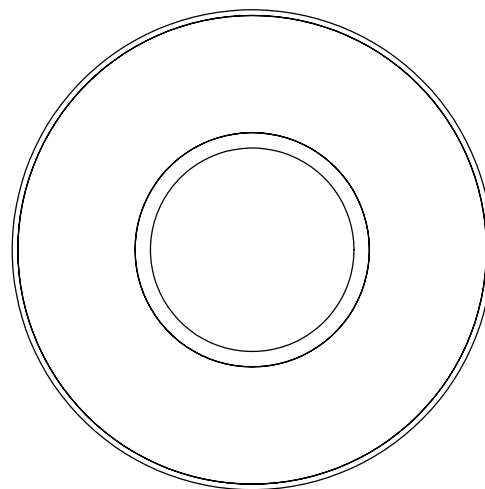
013-0003002
3/8" FENDER WASHER



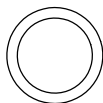
013-0003004
1 1/16"
FENDER WASHER



026-01PL151
PLASTIC 1 1/16"
FENDER WASHER



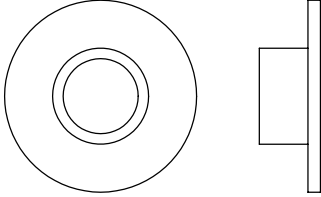
014-0018002
1" LONG
SPACER



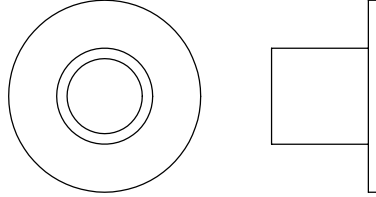
OWNER'S MANUAL

WASHER SIZING CHART (CONTINUED)

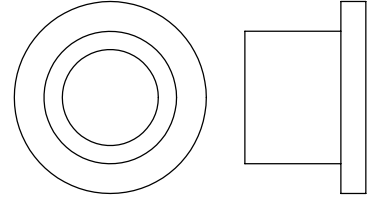
026-01M0211
1/4" LONG
FLANGED SPACER



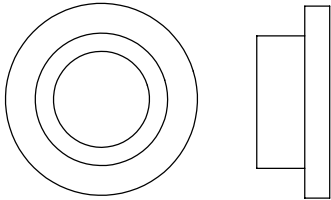
026-01M0198
1/2" LONG
FLANGED SPACER



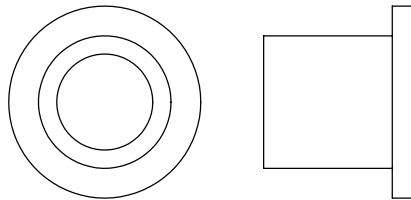
026-01M0760
1/2" LONG HEAVY
FLANGED SPACER



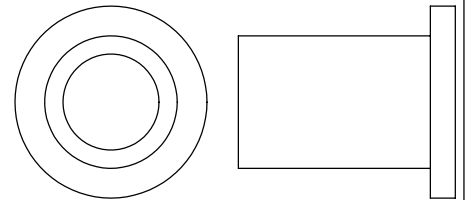
026-01M211T
1/4" LONG HEAVY
FLANGED SPACER



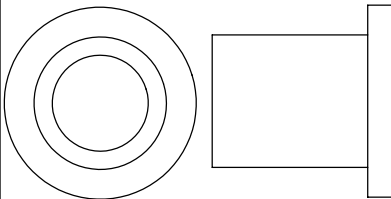
026-01M0532
11/16" LONG HEAVY
FLANGED SPACER



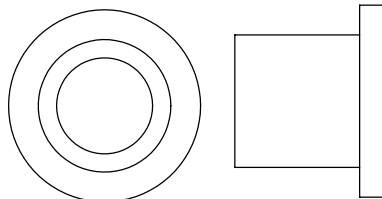
026-01M0551
1" LONG HEAVY
FLANGED SPACER



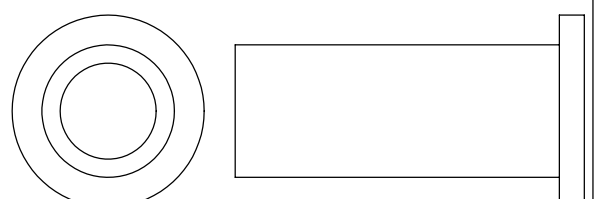
026-01M0788
.81" LONG HEAVY
FLANGED SPACER



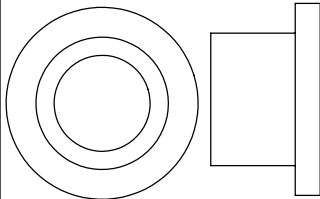
026-01M0780
.65" LONG HEAVY
FLANGED SPACER



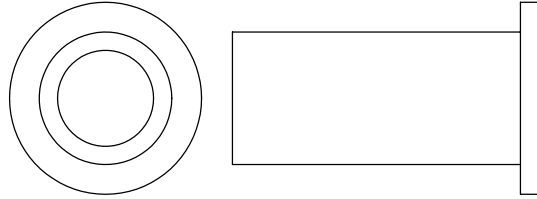
026-01M0761
1 11/16" LONG HEAVY
FLANGED SPACER



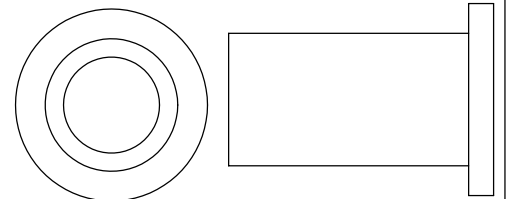
026-01M0789
.44" LONG HEAVY
FLANGED SPACER



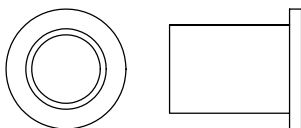
026-01M0762
1 1/2" LONG HEAVY
FLANGED SPACER



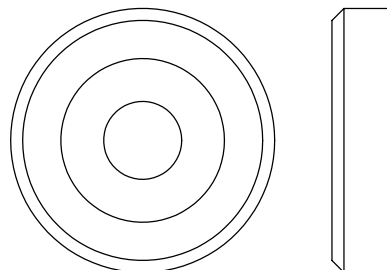
026-01M0768
1 1/4" LONG HEAVY
FLANGED SPACER



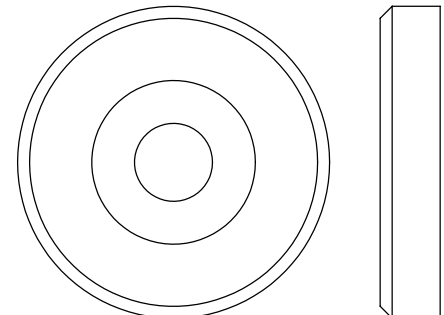
026-01M0600
.625" LONG
FLANGED SPACER



026-01M0240
1 3/8" ALUMINUM
FLATHEAD CAP



026-01M0239
1 5/8" ALUMINUM
FLATHEAD CAP



OWNER'S MANUAL

MAINTENANCE SCHEDULE

ROUTINE	COMMERCIAL MAINTENANCE	HOME MAINTENANCE	LATEST DATE ENTRY															
Inspect; Links, Pull Pins, Snap Locks, Swivels, Weight Stack Pins	DAILY	WEEKLY																
Clean; Upholstery	DAILY	WEEKLY																
Inspect; Cables or Belts and their tension	DAILY	WEEKLY																
Inspect; Accessory Bars, and Handles	WEEKLY	3 MONTHS																
Inspect; All Decals	WEEKLY	3 MONTHS																
Inspect; All Nuts and Bolts, Tighten if needed	WEEKLY	3 MONTHS																
Inspect; Anti-Skid Surface	WEEKLY	3 MONTHS																
Clean & Lubricate; Guide Rods with a Teflon (PTFE) based lubricant (Superlube)	MONTHLY	3 MONTHS																
Lubricate; Seat Sleeves, Turcite Bushings, Linear Bearing	MONTHLY	3 MONTHS																
Clean and Wax; All Glossy Finishes	6 MONTHS	YEARLY																
Repack with Grease; Linear Bearings	6 MONTHS	YEARLY																
Replace; Cables, Belts and Connecting Parts	YEARLY	3 YEARS																

*Your equipment comes with a commercial maintenance decal.
For personal, in home use, please follow the home maintenance schedule listed above.*

OWNER'S MANUAL

HOIST FITNESS SYSTEMS **GENERAL MAINTENANCE INFORMATION**

Links, Pull-Pins, Snap Hooks, Swivels, Weight Stack Pins:

- *Check all pieces for signs of visible wear or damage.
- *Check springs in snap hooks and pull-pins for proper tension and alignment.
- *If the spring sticks or has lost its rigidity, replace it immediately.

Upholstery:

- *To ensure prolonged upholstery life and proper hygiene, all upholstered pads should be wiped down with a damp cloth after every workout.
- *Periodically take the time to use a mild soap or an approved vinyl upholstery cleaner to deter the onset of cracking or drying. Avoid using any abrasive cleaners or cleaners not intended for use on vinyl.
- *Replace ripped or worn upholstery immediately.
- *Keep sharp or pointed objects clear of all upholstery.

Decals:

- *Inspect and familiarize yourself with any safety warnings or other user information posted on each decal.

Nuts and Bolts:

- *Inspect all nuts and bolts for any loosening and tighten if needed.
- *Go through a re-tightening sequence periodically to ensure that all hardware is tensioned proper.

Anti-Skid Surfaces:

- *These surfaces are designed to supply secure footing and need to be replaced if they appear worn or become slippery.

Belts and Cables:

- *Hoist uses only high quality belt, and mil-spec cables.
- *Visually inspect the belts and cables for fraying, cracking, peeling or discoloration.
- *While the machine is not in use, carefully run your fingers along the belt or cable to feel for thinning or bulging areas.
- *Replace belts and cables immediately at the first signs of damage or wear. Do not use equipment until belts or cables have been replaced.

Belt and Cable Tension:

- *Referring to the Owners Manual, when belts or cables are used check all bolts attachments to be sure they are properly attached.
- *Check slack in cables and re-adjust cable tension if needed.

Seat Sleeves, Guide Rods:

- *Wipe down adjusting tubes with a dust free rag before applying lubricant.
- *Lubricate seat sleeves and Guide Rods with a Silicon or Teflon based lubricant spray.

Linear Bearings:

- *Referring to the Owners Manual carefully disassemble the bearing from its housing and place a finger full of light grease (lithium, super lube, etc.) into the inside of the bearing. Using your finger, press the grease into the ball-bearings and their tracks. repeat until the ball-bearing tracks are full of grease. Insert the shaft back into the bearing and wipe off excess grease.

PLEASE KEEP THIS FOR YOUR RECORDS

OWNER'S MANUAL

WEIGHT TRAINING TIPS

Always consult your physician before starting any exercise program.

To be successful in your exercise program, it is important to develop an understanding of the basic principles of strength training. Now that you have your RPL-5102 HOIST® Fitness System, it is only natural that you want to get started immediately. First, determine a set of realistic goals and objectives for yourself. By deciding on an exercise plan that is right for you prior to starting, you will contribute significantly to your success.

Warm up properly before engaging in weight resistance training. Stretching, yoga, jogging, calisthenics or other cardiovascular exercise can help prepare your body for the heavier workload of lifting weights.

Learn how to perform the exercise correctly before using heavy weight. Correct form is important to avoid injury and to ensure that you work the proper muscle groups.

Know your limitations. If you are new to weight training or are embarking on an exercise regimen after a long layoff, start slowly and build foundational strength over a longer period of time.

Pay attention to your breathing. Exhale when you exert is a general rule of thumb. Never hold your breath.

To gain maximum results and avoid possible injury, consult a fitness professional to develop your complete exercise program.

Enjoy your RPL-5102 HOIST® Fitness System!

OWNER'S MANUAL

HOIST FITNESS SYSTEMS **LIMITED LIFETIME WARRANTY**

Hoist Fitness Systems warrants this product to the **original purchaser** to be free from defects in workmanship and/or materials under normal use or service. If at any time a component part is defective, Hoist Fitness Systems shall repair or replace it (at Hoist Fitness Systems option) within a reasonable period of time. This warranty does not cover costs of removal, transportation or reinstallation. This warranty shall not apply if the defect was caused by misuse, neglect or normal wear and tear.

WARRANTY CLAIMS. All claims require: Model number, Serial number, Date of installation, and any information supporting the existence of the alleged defect.

To complete Warranty Registration visit:
www.HOISTFITNESS.com
and click on the Warranty Registration link

Starting from the original date of purchase, normal wear and tear shall be considered as the following:

COMMERCIAL USE: All malfunctions of upholstery, grips, paint, and chrome that occur after one year; all malfunctions of electronic components, belts, or **cables** after one year; all malfunctions of pulleys, bearings, or bushings that occur after five years. The frame and all welded components are warranted for the life of the product.

HOME USE: All malfunctions of grips, paint, and chrome that occur after ten years; all malfunctions of electronic components, belts, **cables**, or upholstery that occur after ten years; all malfunctions of pulleys, bearings, or bushings that occur after ten years. The frame and all welded components are warranted for the life of the product.

PLEASE NOTE THAT NOT ALL HOIST PRODUCTS ARE MADE FOR COMMERCIAL USE.

Refer to the instructions page of your owners manual or consult with you fitness product dealer to establish if a product is made for commercial use or not. Using a non-commercial product in a commercial setting can result in serious injury or death!

Hoist Fitness Systems sole responsibility shall be to repair or replace the component within the terms stated above. Hoist Fitness Systems shall not be liable for any loss or damage of any kind including any incidental or consequential damages resulting, directly or indirectly from any warranty expressed or implied or any other failure of this product.

WHAT IS NOT COVERED BY THIS WARRANTY

Hoist's sole obligation under this warranty is limited to either repair or replacement of parts, subject to the additions below. This warranty neither assumes nor authorizes any person to assume obligations other than expressly covered by this warranty.

NO CONSEQUENTIAL DAMAGES. Hoist is not responsible for economic loss; profit loss; or special, indirect, or consequential damages.

WARRANTY IS NOT TRANSFERABLE. This warranty is not assignable and applies only in favor of the original purchaser/user to whom delivered. Any such assignment or transfer shall void the warranties herein made and shall void all warranties, expressed, implied or statutory, except the one (1) and five (5) year warranties described above. These warranties are exclusive and in lieu of all other warranties, including implied warranty and merchantability or fitness for a particular purpose. There are no warranties which extend beyond the description on the face hereof.

TRANSPORTATION COSTS. Hoist will accept parts covered under this warranty freight collect, provided that shipment has received prior approval. Hoist is not responsible for any other transportation costs, but will ship freight collect parts either repaired or replaced under these warranties.

Hoist Fitness Systems
9990 Empire St. #130
San Diego, CA. 92126
(800)548-5438

PLEASE KEEP THIS FOR YOUR RECORDS